

APP CRS	Rwy Idg	<b>3098</b>
<b>114°</b>	TDZE	<b>1336</b>
	Apt Elev	<b>1341</b>

# RNAV (GPS) RWY 11

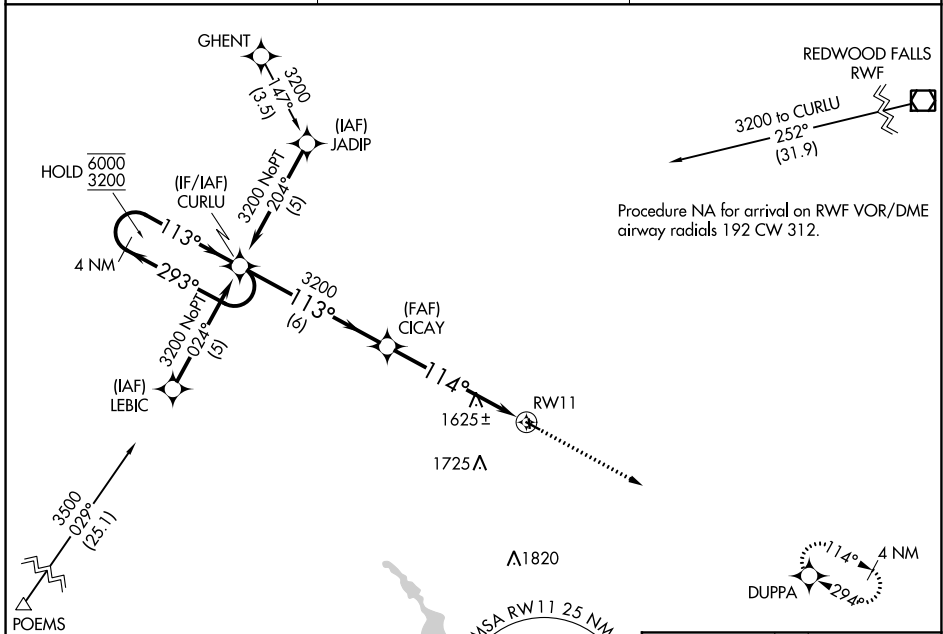
TRACY MUNI (TKC)

RNP APCH.

**Procedure NA at night. Rwy 11 helicopter visibility reduction below 1 SM NA. Circling NA to Rwy 17-35.**

MISSED APPROACH: Climb to 3000 direct DUPPA and hold.

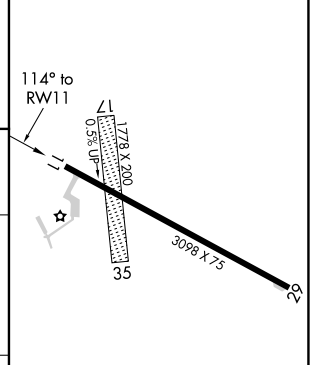
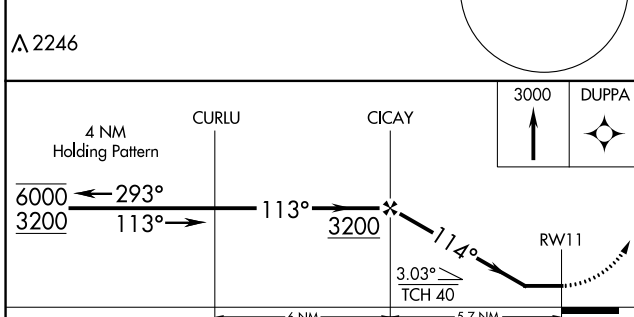
AWOS-3 <b>120.0</b>	MINNEAPOLIS CENTER <b>127.1 290.2</b>	CTAF <b>122.9</b>
------------------------	--	----------------------



Procedure NA for arrivals at POEMS on V148 southwest bound.

MSA RWY 11 25 NM  
ELEV 3900

ELEV 1341	TDZE 1336
-----------	-----------



CATEGORY	A	B	C	D
LNVA MDA	1920-1	584 (600-1)		NA
CIRCLING	1960-1	619 (700-1)		NA

MIRL Rwy 11-29

NC-1, 02 DEC 2021 to 30 DEC 2021

NC-1, 02 DEC 2021 to 30 DEC 2021

APP CRS	Rwy Idg	<b>3098</b>
<b>294°</b>	TDZE	<b>1335</b>
	Apt Elev	<b>1341</b>

# RNAV (GPS) RWY 29

TRACY MUNI (TKC)

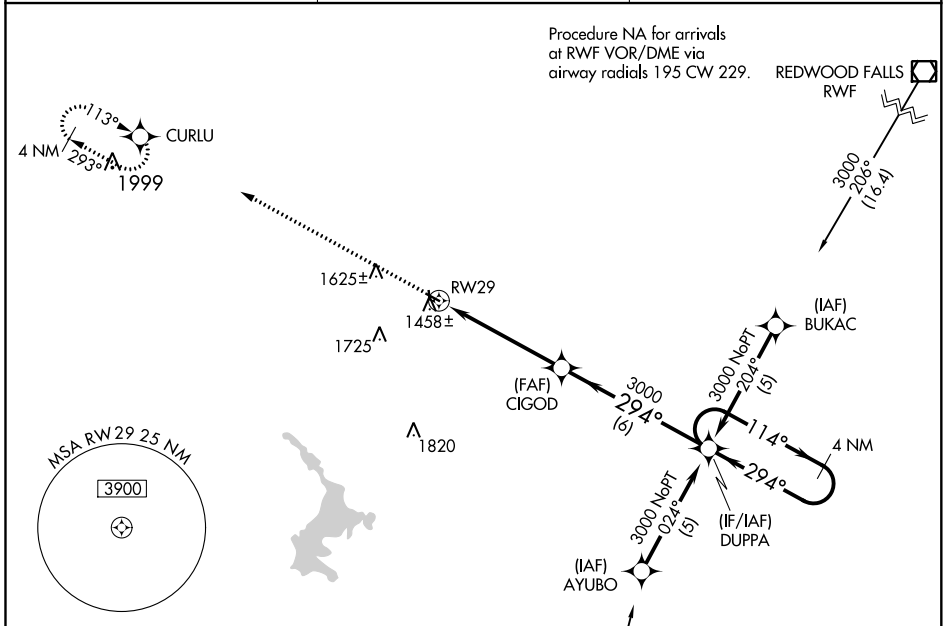
RNP APCH.  
 ▼ If local altimeter setting not received, use Marshall/Ryan altimeter setting and increase all MDAs 60 feet.  
 ▲ NA Procedure NA at night. Circling NA to Rwy 17-35.

MISSED APPROACH: Climb to 3200 direct CURLU and hold.

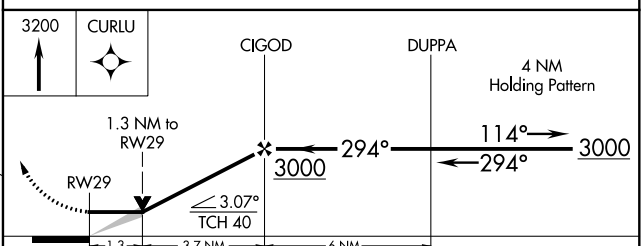
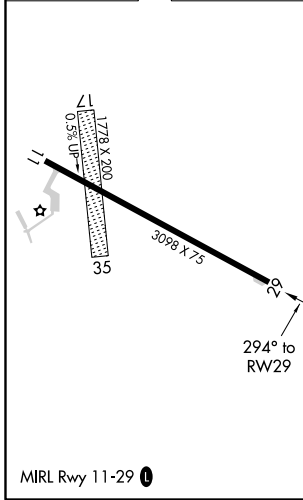
AWOS-3  
**120.0**

MINNEAPOLIS CENTER  
**127.1 290.2**

CTAF  
**122.9**



ELEV 1341	TDZE 1335
-----------	-----------



CATEGORY	A	B	C	D
LNAV MDA	1780-1	445 (500-1)	NA	
CIRCLING	1920-1	579 (600-1)	NA	

NC-1, 02 DEC 2021 to 30 DEC 2021

NC-1, 02 DEC 2021 to 30 DEC 2021