

WAAS CH 99518 W17A	APP CRS 175°	Rwy Idg TDZE Apt Elev	5001 699 699
---------------------------------	------------------------	-----------------------------	---

RNAV (GPS) RWY 17

DURANT RGNL - EAKER FIELD (DUA)

⚠ Baro-VNAV NA when using Ardmore Muni altimeter setting. For uncompensated Baro-VNAV systems, LNAV/VNAV NA below -16°C (4°F) or above 54°C (130°F).
⚠ DME/DME RNP-0.3 NA. When local altimeter setting not received, use Ardmore Muni altimeter setting and increase all DA 96 feet and all MDA 100 feet; increase LPV Cats A, B, C visibility ½ mile, LNAV/VNAV Cats A, B, C and LNAV and Circling Cats B, C visibility ¼ mile. VDP NA with Ardmore Muni altimeter setting.

MISSED APPROACH:
Climb to 2500 direct ZEGRA and hold.

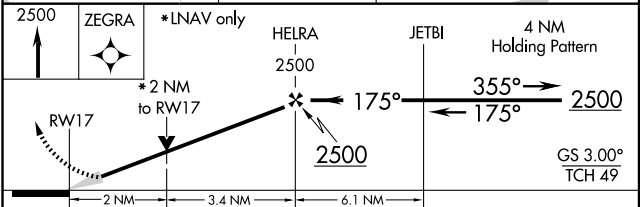
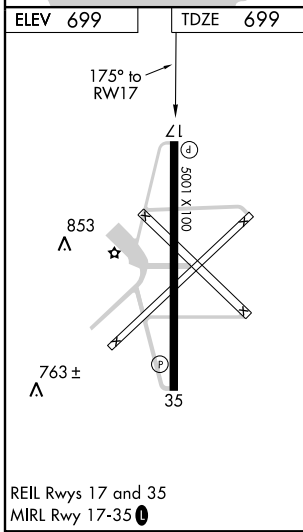
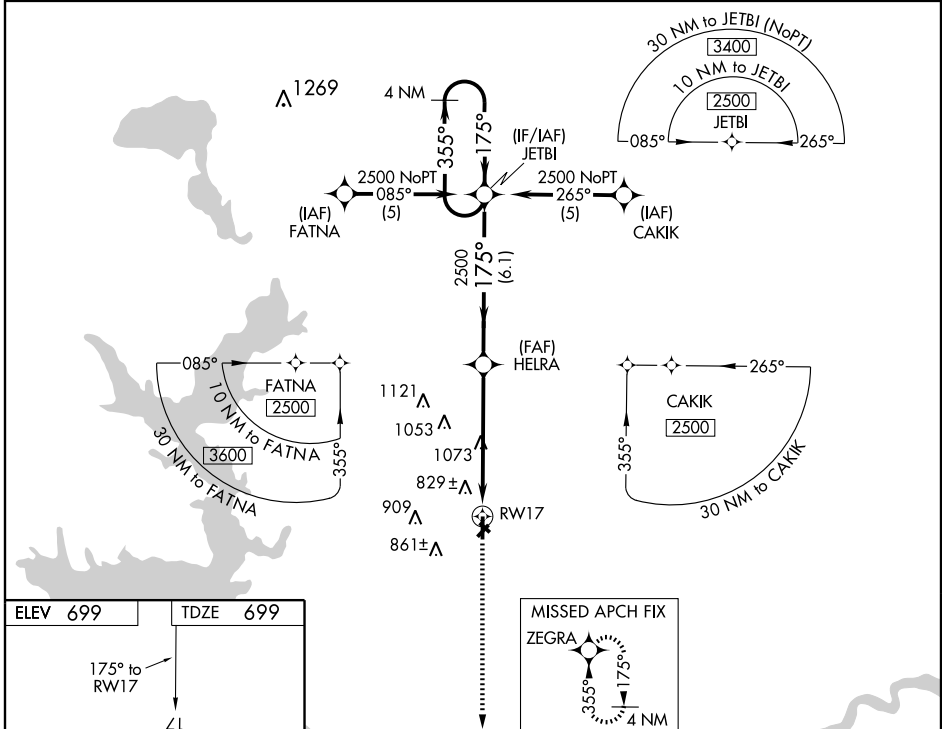
AWOS-3
124.175

FORT WORTH CENTER
124.75 323.0

UNICOM
122.8 (CTAF) 0

SC-1, 31 MAY 2012 to 28 JUN 2012

SC-1, 31 MAY 2012 to 28 JUN 2012



CATEGORY	A	B	C	D
LPV DA	949-¾		250 (300-¾)	NA
LNAV/VNAV DA	1132-1½		433 (500-1½)	NA
LNAV MDA	1380-1	681 (700-1)	1380-2 681 (700-2)	NA
CIRCLING	1380-1	681 (700-1)	1380-2 681 (700-2)	NA

WAAS CH 48918 W35A	APP CRS 355°	Rwy Idg TDZE Apt Elev	5001 690 699
--	------------------------	-----------------------------	---

RNAV (GPS) RWY 35

DURANT RGNL - EAKER FIELD (DUA)

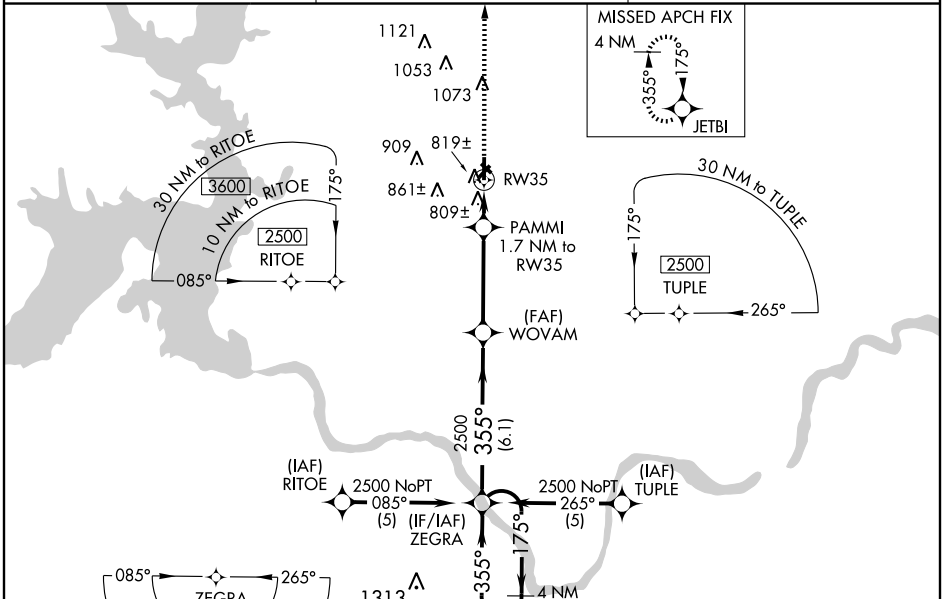
⚠ Baro-VNAV NA when using Ardmore Muni altimeter setting. For uncompensated Baro-VNAV systems, LNAV/VNAV NA below -16°C (4°F) or above 54°C (130°F). DME/DME RNP-0.3 NA. When local altimeter setting not received, use Ardmore Muni altimeter setting and increase all DA 96 feet, all MDA 100 feet; increase LPV Cats A, B, C visibility ½ mile, increase LNAV/VNAV Cats A, B, C and LNAV and Circling Cat C visibility ¼ mile. VDP NA with Ardmore Muni altimeter setting.

MISSED APPROACH:
Climb to 2500 direct JETBI and hold.

AWOS-3
124.175

FORT WORTH CENTER
124.75 323.0

UNICOM
122.8 (CTAF) 0

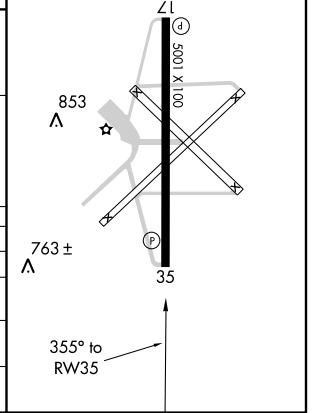
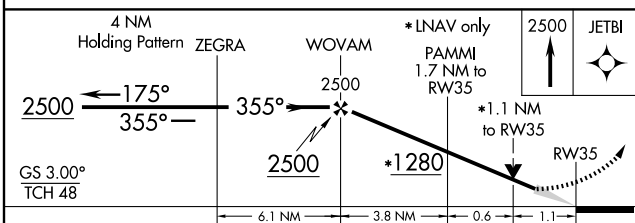


SC-1, 31 MAY 2012 to 28 JUN 2012

SC-1, 31 MAY 2012 to 28 JUN 2012

ELEV 699	TDZE 690
----------	----------

REIL Rws 17 and 35
MIRL Rwy 17-35 0



CATEGORY	A	B	C	D
LPV DA	940-¾	250 (300-¾)		NA
LNAV/VNAV DA	1111-1½	421 (500-1½)		NA
LNAV MDA	1100-1	410 (500-1)	1100-1¼ 410 (500-1¼)	NA
CIRCLING	1220-1	521 (600-1)	1220-1½ 521 (600-1½)	NA

DURANT, OKLAHOMA

AL-6172 (FAA)

VOR/DME URH 114.3 Chan 90	APP CRS 164°	Rwy Idg TDZE Apt Elev	5001 698 698
---	------------------------	-----------------------------	---

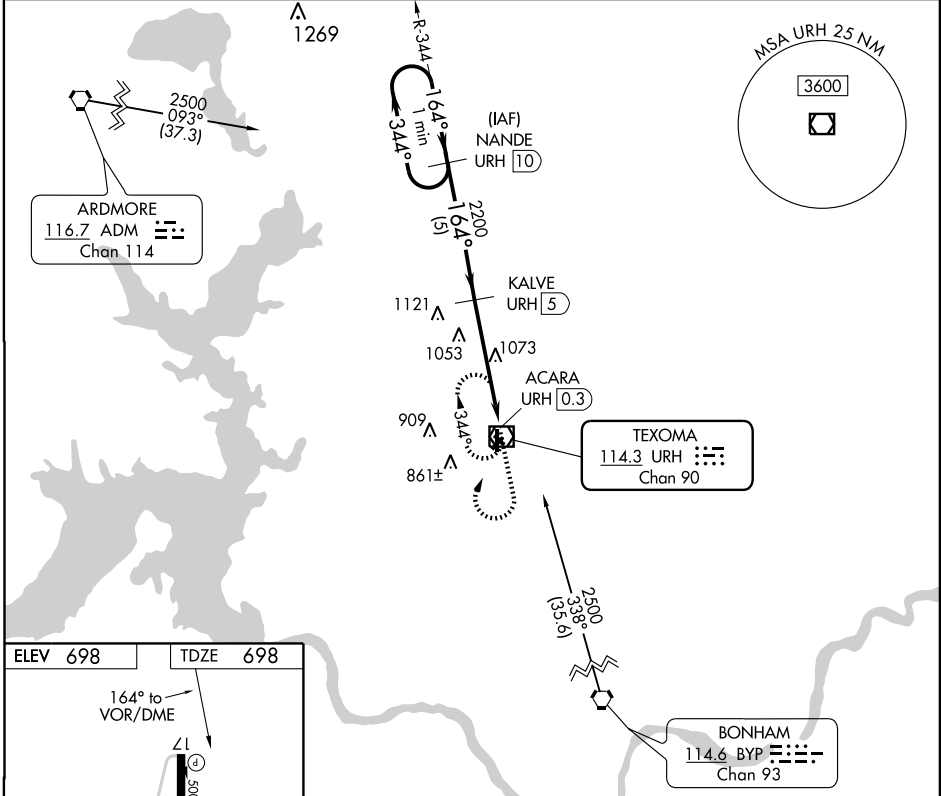
VOR/DME RWY 17

DURANT RGNL - EAKER FIELD (DUA)

NA If local altimeter setting not received, use Ardmore Muni altimeter setting and increase all MDAs 100 feet. VDP NA when using Ardmore Muni altimeter setting.

MISSED APPROACH: Climbing right turn to 2500 in URH VOR/DME holding pattern.

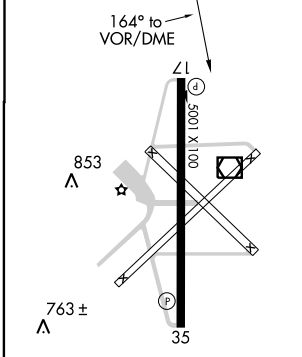
AWOS-3 124.175	FORT WORTH CENTER 124.75 323.0	UNICOM 122.8 (CTAF) 0
--------------------------	--	--



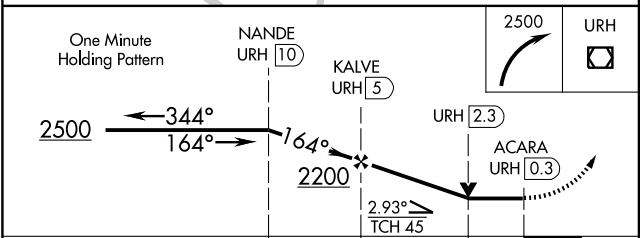
SC-1, 31 MAY 2012 to 28 JUN 2012

SC-1, 31 MAY 2012 to 28 JUN 2012

ELEV 698	TDZE 698
----------	----------



REIL Rws 17 and 35 MIRL Rwy 17-35 0



CATEGORY	A	B	C	D
S-17	1380-1	682 (700-1)	1380-2 682 (700-2)	NA
CIRCLING	1380-1	682 (700-1)	1380-2 682 (700-2)	NA

DURANT, OKLAHOMA
Orig 12096

33°57'N-96°24'W

DURANT RGNL - EAKER FIELD (DUA)

VOR/DME RWY 17

DURANT, OKLAHOMA

AL-6172 (FAA)

VOR/DME URH 114.3 Chan 90	APP CRS 004°	Rwy Idg TDZE Apt Elev	5001 695 698
---	------------------------	-----------------------------	---

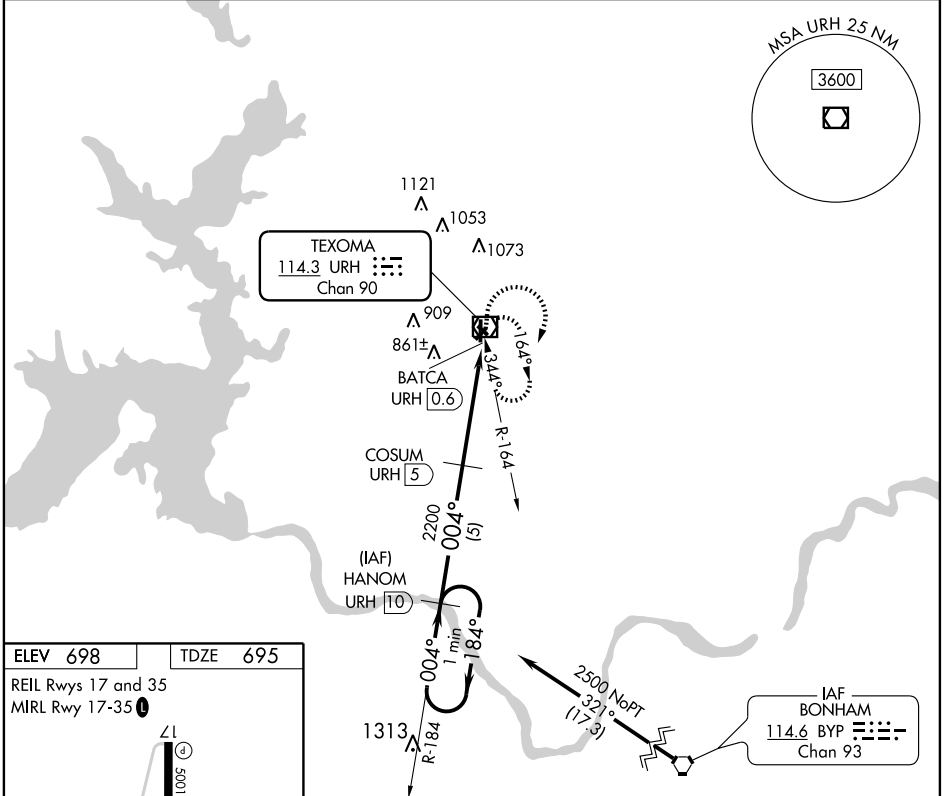
VOR/DME RWY 35

DURANT RGNL - EAKER FIELD (DUA)

▼ If local altimeter setting not received, use Ardmore Muni altimeter setting and increase all MDAs 100 feet.
 ▲ NA VDP NA when using Ardmore Muni altimeter setting.

MISSED APPROACH: Climb to 2500 in URH VOR/DME holding pattern.

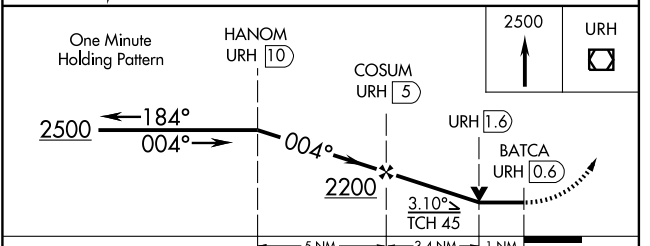
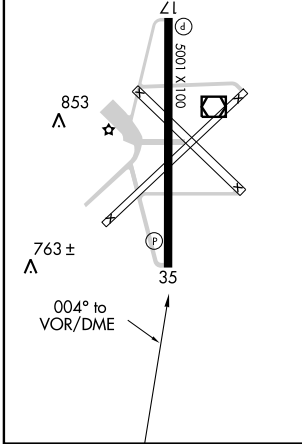
AWOS-3 124.175	FORT WORTH CENTER 124.75 323.0	UNICOM 122.8 (CTAF) 0
--------------------------	--	---------------------------------



SC-1, 31 MAY 2012 to 28 JUN 2012

SC-1, 31 MAY 2012 to 28 JUN 2012

ELEV 698	TDZE 695
REIL Rws 17 and 35	MIRL Rwy 17-35



CATEGORY	A	B	C	D
S-35	1060-1	365 (400-1)		NA
CIRCLING	1160-1	462 (500-1)	1160-1½ 462 (500-1½)	NA

DURANT, OKLAHOMA
Orig 12096

33° 57' N-96° 24' W

DURANT RGNL - EAKER FIELD (DUA)

VOR/DME RWY 35

INSTRUMENT APPROACH PROCEDURE CHARTS

 IFR ALTERNATE AIRPORT MINIMUMS

Standard alternate minimums for non precision approaches are 800-2 (NDB, VOR, LOC, TACAN, LDA, VORTAC, VOR/DME, ASR or WAAS LNAV); for precision approaches 600-2 (ILS or PAR). Airports within this geographical area that require alternate minimums other than standard or alternate minimums with restrictions are listed below. NA - means alternate minimums are not authorized due to unmonitored facility or absence of weather reporting service. Civil pilots see FAR 91. IFR Alternate Airport Minimums: Ceiling and Visibility Minimums not applicable to USA/USN/USAF. Pilots must review the IFR Alternate Airport Minimums Notes for alternate airfield suitability.

NAME ALTERNATE MINIMUMS

ADA, OK

ADA MUNI (ADH) RNAV (GPS) Rwy 17
RNAV (GPS) Rwy 35

NA when local weather not available.

ALTUS, OK

ALTUS/QUARTZ MOUNTAIN

RGNL (AXS) RNAV (GPS) Rwy 17
RNAV (GPS) Rwy 35
VOR-A
VOR-B¹

NA when local weather not available.

¹NA when KLTS ATCT closed.

ARDMORE, OK

ARDMORE DOWNTOWN

EXECUTIVE (1F0) RNAV (GPS) Rwy 17
RNAV (GPS) Rwy 35

NA when local weather not available.

Category D, 800-2½

ARDMORE

MUNI (ADM) ILS or LOC Rwy 31¹⁴
RNAV (GPS) Rwy 13²⁵
RNAV (GPS) Rwy 31⁵
VOR-B³

¹ILS, Categories A, B, C, D, 700-2.

²Category D, 800-2¼.

³Category D, 800-2½.

⁴NA when control tower closed.

⁵NA when local weather not available.

BARTLESVILLE, OK

BARTLESVILLE

MUNI (BVO) RNAV (GPS) Rwy 17
RNAV (GPS) Rwy 35
VOR Rwy 17
VOR/DME Rwy 35

NA when local weather not available.

Category D, 800-2¼.

NAME ALTERNATE MINIMUMS

BATESVILLE, AR

BATESVILLE

RGNL (BVX) RNAV (GPS) Rwy 8
RNAV (GPS) Rwy 26

NA when local weather not available.

BLACKWELL, OK

BLACKWELL-TONKAWA

MUNI (BKN) RNAV (GPS) Rwy 17
RNAV (GPS) Rwy 35
VOR-A

NA when local weather not available.

BLYTHEVILLE, AR

ARKANSAS INTL (BYH) VOR Rwy 18
VOR Rwy 36

NA when using Blytheville Muni altimeter setting.

BLYTHEVILLE

MUNI (HKA) RNAV (GPS) Rwy 18
RNAV (GPS) Rwy 36

NA when local weather not available.

CAMDEN, AR

HARRELL FIELD (CDH) RNAV (GPS) Rwy 1
RNAV (GPS) Rwy 19

NA when local weather not available.

CLAREMORE, OK

CLAREMORE

RGNL (GCM) RNAV (GPS) Rwy 17
RNAV (GPS) Rwy 35

NA when local weather not available.



ALTERNATE MINS

M2



NAME ALTERNATE MINIMUMS

CLINTON, OK

CLINTON
RGNL (CLK) RNAV (GPS) Rwy 17
RNAV (GPS) Rwy 35
VOR/DME-A

NA when local weather not available.

CLINTON-SHERMAN (CSM) ILS or LOC Rwy 17R¹²
RNAV (GPS) Rwy 17R³⁴
RNAV (GPS) Rwy 35L³⁴
VOR Rwy 35L¹⁵

¹NA when control tower closed.

²ILS, Category E, 700-2¼. LOC, Category E, 800-2¼.

³Category E, 800-2½.

⁴NA when local weather not available.

⁵Category E, 800-2¾.

CUSHING, OK

CUSHING
MUNI (CUH) NDB Rwy 36
RNAV (GPS) Rwy 36

NA when local weather not available.

DEQUEEN, AR

J. LYNN HELMS SEVIER
COUNTY (DEQ) RNAV (GPS) Rwy 8

NA when local weather not available.

DUNCAN, OK

HALLIBURTON
FIELD (DUC) RNAV (GPS) Rwy 17
RNAV (GPS) Rwy 35
VOR Rwy 35

NA when local weather not available.
Category D, 800-2¼.

DURANT, OK

DURANT RGNL-
EAKER FIELD (DUA) RNAV (GPS) Rwy 17
RNAV (GPS) Rwy 35

NA when local weather not available.

EL DORADO, AR

SOUTH ARKANSAS RGNL AT
GOODWIN FIELD (ELD) VOR Rwy 22

NA when control zone not in effect.

NAME ALTERNATE MINIMUMS

EL RENO, OK

EL RENO
RGNL (RQO) RNAV (GPS) Rwy 17
RNAV (GPS) Rwy 35
VOR/DME Rwy 35

NA when local weather not available.

ENID, OK

ENID WOODRING
RGNL (WDG) ILS or LOC Rwy 35¹
RNAV (GPS) Rwy 17
RNAV (GPS) Rwy 35
VOR Rwy 17
VOR Rwy 35

NA when local weather not available.

¹NA when control tower closed.

FAYETTEVILLE, AR

DRAKE FIELD (FYV) LDA/DME Rwy 34¹³⁴
LOC Rwy 16²³
RNAV (GPS) Rwy 16²⁴
RNAV (GPS) Rwy 34⁴⁵
VOR-A²⁴
VOR/DME-B²

¹LDA/GS, Category A, B, 800-2; Category C, 800-2½. LDA, Category C, 800-2½.

²Category C, 800-2¼; Category D, 1100-3.

³NA when control tower closed.

⁴NA when local weather not available.

⁵Categories A, B, 1000-2; Category C, 1000-2¾; Category D, 1100-3.

FAYETTEVILLE/SPRINGDALE/

ROGERS, AR

NORTHWEST ARKANSAS
RGNL (XNA) ILS or LOC/DME Rwy 16
ILS or LOC/DME Rwy 17
ILS or LOC/DME Rwy 34
ILS or LOC/DME Rwy 35
RNAV (GPS) Rwy 16
RNAV (GPS) Rwy 17
RNAV (GPS) Rwy 34
RNAV (GPS) Rwy 35

NA when local weather not available.

NA when control tower closed.

FLIPPIN, AR

MARION COUNTY
RGNL (FLP) RNAV (GPS) Rwy 4¹
RNAV (GPS) Rwy 22
VOR-A

NA when local weather not available.

¹Categories A, B, 900-2; Category C, 900-2½.

31 MAY 2012 to 26 JUL 2012

31 MAY 2012 to 26 JUL 2012



ALTERNATE MINS

SC-1



12152

M2



ALTERNATE MINS

M4



NAME ALTERNATE MINIMUMS

MUSKOGEE, OK

DAVIS FIELD (MKO) RNAV (GPS) Rwy 4
RNAV (GPS) Rwy 13¹
RNAV (GPS) Rwy 22
RNAV (GPS) Rwy 31¹

NA when local weather not available.

¹Category E, 1000-3.

NEWPORT, AR

NEWPORT

MUNI (M19) RNAV (GPS) Rwy 18
RNAV (GPS) Rwy 36
VOR/DME Rwy 18¹

NA when local weather not available.

¹Categories A, B, 1100-2; Categories C, D, 1100-3.

NORMAN, OK

UNIVERSITY OF OKLAHOMA

WESTHEIMER (OUN) ILS or LOC Rwy 17¹
NDB Rwy 3²³
NDB Rwy 35²³
RNAV (GPS) Rwy 3²
RNAV (GPS) Rwy 17²

¹NA when control tower closed.

²NA when local weather not available.

³Category D, 800-2½.

OKLAHOMA CITY, OK

CLARENCE E.

PAGE MUNI (RCE) RNAV (GPS) Rwy 17R
RNAV (GPS) Rwy 35L
VOR-B

NA when local weather not available.

WILEY POST (PWA) ILS or LOC Rwy 17L¹
ILS or LOC Rwy 35R¹
RNAV (GPS) Rwy 17L
RNAV (GPS) Rwy 35R

NA when local weather not available.

¹NA when control tower closed.

WILL ROGERS

WORLD (OKC) ILS or LOC Rwy 17L¹
ILS or LOC Rwy 17R¹
ILS or LOC Rwy 35R¹²
ILS or LOC/DME Rwy 35L¹
RADAR-¹¹
VOR Rwy 17L³

¹Category E, 1000-3.

²NA when control tower closed.

³Categories A,B, 1100-2; Categories C,D,E, 1100-3.

NAME ALTERNATE MINIMUMS

OKMULGEE, OK

OKMULGEE

RGNL (OKM) RNAV (GPS) Rwy 18
NA when local weather not available.

PAULS VALLEY, OK

PAULS VALLEY

MUNI (PVJ) RNAV (GPS) Rwy 17
RNAV (GPS) Rwy 35¹

NA when local weather not available.

¹Category D, 800-2½.

PONCA CITY, OK

PONCA CITY

RGNL (PNC) RNAV (GPS) Rwy 17
RNAV (GPS) Rwy 35

NA when local weather not available.

ROGERS, AR

ROGERS MUNI-CARTER

FIELD (ROG) RNAV (GPS) Rwy 20¹
VOR Rwy 2²

¹NA when local weather not available.

²Category C, 800-2¼; Category D, 800-2½.

RUSSELLVILLE, AR

RUSSELLVILLE

RGNL (RUE) RNAV (GPS) Rwy 7
Category D, 900-2¼.

SEARCY, AR

SEARCY MUNI (SRC) RNAV (GPS) Rwy 1

RNAV (GPS) Rwy 19

NA when local weather not available.

SEMINOLE, OK

SEMINOLE

MUNI (SRE) RNAV (GPS) Rwy 16
NA when local weather not available.

SHAWNEE, OK

SHAWNEE

RGNL (SNL) RNAV (GPS) Rwy 17
RNAV (GPS) Rwy 35

NA when local weather not available.

31 MAY 2012 to 26 JUL 2012

31 MAY 2012 to 26 JUL 2012



ALTERNATE MINS

M4

SC-1



12152

TAKE-OFF MINIMUMS AND (OBSTACLE) DEPARTURE PROCEDURES

12152

INSTRUMENT APPROACH PROCEDURE CHARTS

IFR TAKE-OFF MINIMUMS AND (OBSTACLE) DEPARTURE PROCEDURES

Civil Airports and Selected Military Airports

ALL USERS: Airports that have Departure Procedures (DPs) designed specifically to assist pilots in avoiding obstacles during the climb to the minimum enroute altitude, and/or airports that have civil IFR take-off minimums other than standard, are listed below. Take-off Minimums and Departure Procedures apply to all runways unless otherwise specified. Altitudes, unless otherwise indicated, are minimum altitudes in MSL.

DPs specifically designed for obstacle avoidance are referred to as Obstacle Departure Procedures (ODPs) and are described below in text, or published separately as a graphic procedure. If the (Obstacle) DP is published as a graphic procedure, its name will be listed below, and it can be found in either this volume (civil), or the applicable military volume, as appropriate. Users will recognize graphic obstacle DPs by the term "(OBSTACLE)" included in the procedure title; e.g., TETON TWO (OBSTACLE). If not specifically assigned a departure procedure (i.e., ODP, SID, or radar vector) as part of an IFR clearance, an ODP may be required to be flown for obstacle clearance, even though not specifically stated in the IFR clearance. When doing so in this manner, ATC should be informed when the ODP being used contains a specified route to be flown, restrictions before turning, and/or altitude restrictions.

Graphic DPs designed by ATC to standardize traffic flows, ensure aircraft separation and enhance capacity are referred to as "Standard Instrument Departures (SIDs)". SIDs also provide obstacle clearance and are published under the appropriate airport section. ATC clearance must be received prior to flying a SID.

CIVIL USERS NOTE: Title 14 Code of Federal Regulations Part 91 prescribes standard take-off rules and establishes take-off minimums for certain operators as follows: (1) Aircraft having two engines or less - one statute mile. (2) Aircraft having more than two engines - one-half statute mile. These standard minima apply in the absence of any different minima listed below.

MILITARY USERS NOTE: Civil (nonstandard) take-off minima are published below. For military take-off minima, refer to appropriate service directives.

NAME TAKE-OFF MINIMUMS

ADA, OK

ADA MUNI (ADH)

AMDT 3 09127 (FAA)

TAKE-OFF MINIMUMS: **Rwy 13**, 300-1¼ or std. w/ min. climb of 307' per NM to 1300. **Rwy 17**, 300-1¼ or std. w/ min. climb of 326' per NM to 1300.

DEPARTURE PROCEDURE: **Rwy 17**, climb heading 174° to 1600 before proceeding on course.

NOTE: **Rwy 13**, bush 316' from DER, 43' right of centerline, 9' AGL/988' MSL. Tower 5477' from DER, 872' left of centerline, 120' AGL/1117' MSL. Post 123' from DER, 73' right of centerline, 3' AGL/982' MSL. Tower 1.08 NM from DER, 9' left of centerline, 160' AGL/1160' MSL. **Rwy 17**, tower 1.02 NM from DER, 1411' right of centerline, 165' AGL/1165' MSL. Pole 1017' from DER, 449' left of centerline, 90' AGL/1053' MSL. Trees beginning 83' from DER, 272' left of centerline, up to 82' AGL/1041' MSL. Trees beginning 32' from DER, 100' right of centerline, up to 58' AGL/1037' MSL. **Rwy 31**, trees beginning 2179' from DER, 988' right of centerline, up to 64' AGL/1083' MSL. Obstruction light on amom 703' from DER, 548' right of centerline, 6' AGL/1042' MSL. **Rwy 35**, trees beginning 75' from DER, 72' left of centerline, up to 56' AGL/1065' MSL. Trees beginning 132' from DER, 261' right of centerline, up to 51' AGL/1050' MSL.

NAME TAKE-OFF MINIMUMS

ALMYRA, AR

ALMYRA MUNI (M73)

ORIG 11293 (FAA)

NOTE: **Rwy 10**, trees beginning 735' from DER, 561' left of centerline, up to 50' AGL/248' MSL. Trees beginning 645' from DER, 208' right of centerline, up to 50' AGL/255' MSL. **Rwy 18**, trees beginning 1234' from DER, 294' right of centerline, up to 50' AGL/255' MSL. **Rwy 28**, vehicle on road 142' from DER, 527' right of centerline, 15' AGL/220' MSL. **Rwy 36**, vehicle on road 453' from DER, 41' left of centerline, 15' AGL/220' MSL. Tree 144' from DER, 487' right of centerline, 50' AGL/259' MSL.

ALTUS, OK

ALTUS/QUARTZ MOUNTAIN RGNL (AXS)

ORIG 09267 (FAA)

NOTE: **Rwy 35**, terrain 51' from DER, 410' right of centerline, 1435' MSL. Trees beginning 1215' from DER, 765' left of centerline, up to 40' AGL/1470' MSL.

ALTUS AFB (KLTS)

ALTUS, OK AMDT1,11237

TAKE-OFF OBSTACLES: 174' Assault Strip, Aircraft taxiing 87' from DER, 360' left of centerline, 65' AGL/1425' MSL, aircraft taxiing between 1038' and 2316' from DER, 717' left of centerline, 65' AGL/1424' MSL.

31 MAY 2012 to 28 JUN 2012

31 MAY 2012 to 28 JUN 2012

12152

TAKE-OFF MINIMUMS AND (OBSTACLE) DEPARTURE PROCEDURES

TAKE-OFF MINIMUMS AND (OBSTACLE) DEPARTURE PROCEDURES

12152

ALVA, OK

ALVA RGNL

DEPARTURE PROCEDURE: **Rwys 8, 35**, climb on runway heading to 2000 before turning.

ARDMORE, OK

ARDMORE DOWNTOWN EXECUTIVE (1F0)
AMDT 3 11069 (FAA)

TAKE-OFF MINIMUMS: **Rwy 35**, 300-1½ or std. w/ min. climb of 344' per NM to 1200.

NOTE: **Rwy 17**, ground abeam DER, 110' right of centerline, up to 858' MSL. Vehicles 535' from DER, 288' right of centerline, up to 15' AGL/863' MSL. Pole 467' from DER, 366' right of centerline, 29' AGL/886' MSL. Trees beginning 239' from DER, 180' right of centerline, up to 40' AGL/880' MSL. Trees beginning 25' from DER, 449' left of centerline, up to 40' AGL/880' MSL. Vehicles 658' from DER, 311' left of centerline, up to 15' AGL/862' MSL. **Rwy 35**, trees beginning 256' from DER, 358' right of centerline, up to 52' AGL/938' MSL. Pole 671' from DER, 261' right of centerline, 28' AGL/862' MSL. Trees beginning 82' from DER, 318' left of centerline, up to 78' AGL/942' MSL. Pole 332' from DER, 198' left of centerline, 11' AGL/855' MSL. Antenna 496' from DER, 243' left of centerline, 44' AGL/894' MSL. Hopper 5781' from DER, 1444' left of centerline, 214' AGL/1091' MSL.

ARDMORE MUNI (ADM)

AMDT 2 11293 (FAA)

TAKE-OFF MINIMUMS: **Rwy 13**, 300-1 or std. w/min. climb of 330' per NM to 1000. **Rwy 31**, std. w/min. climb of 330' per NM to 1200. **Rwy 35**, 400-2½ or std. w/min. climb of 250' per NM to 1300.

DEPARTURE PROCEDURE: **Rwy 35**, climb heading 354° to 1400 before proceeding on course. NOTE: **Rwy 13**, vehicles on road beginning 570' from DER, 626' right of centerline, up to 15' AGL/744' MSL. Trees beginning 764' from DER, 611' right of centerline, up to 75' AGL/786' MSL. Trees beginning 810' from DER, 566' left of centerline, up to 66' AGL/776' MSL. Trees beginning 3342' from DER, 876' left of centerline, up to 100' AGL/899' MSL. **Rwy 17**, tree 536' from DER, 359' right of centerline, 28' AGL/748' MSL. Trees beginning 1701' from DER, left and right of centerline, up to 100' AGL/819' MSL. **Rwy 31**, tree 292' from DER, 192' right of centerline, 72' AGL/862' MSL. Vehicles on road beginning 1281' from DER, left and right of centerline, up to 15' AGL/842' MSL. Trees beginning 1662' from DER, left and right of centerline, up to 67' AGL/890' MSL. Trees beginning 1.07 NM from DER, 612' right of centerline, up to 42' AGL/1028' MSL. Rising terrain beginning 3.22 NM from DER, left and right of centerline, up to 1199' MSL. **Rwy 35**, tree 336' from DER, 523' right of centerline, 32' AGL/782' MSL. Trees beginning 1554' from DER, left and right of centerline, up to 70' AGL/838' MSL. Trees beginning 1.72 NM from DER, 242' right of centerline, up to 38' AGL/1118' MSL.

ARKADELPHIA, AR

DEXTER B. FLORENCE MEMORIAL FIELD

NOTES: **Rwy 4**, multiple towers, trees, and railroad beginning 20' from departure end of runway, 282' left of centerline, up to 85' AGL/320' MSL. Multiple trees 79' from departure end of runway, 500' right of centerline, up to 54' AGL/184' MSL. **Rwy 22**, railroad 274' from departure end of runway, 434' right of centerline, 23' AGL/212' MSL.

ASH FLAT, AR

SHARP COUNTY RGNL

NOTE: **Rwy 4**, numerous trees beginning 1151' from departure end of runway, 576' right of centerline, up to 100' AGL/839' MSL. **Rwy 22**, numerous trees beginning 548' from departure end of runway, 83' left of centerline, up to 100' AGL/759' MSL.

BARTLESVILLE, OK

BARTLESVILLE MUNI (BVO)

ORIG 07354 (FAA)

TAKE-OFF MINIMUMS: **Rwy 17**, 200-1 or std. w/a min climb of 257' per NM to 1000, or alternatively, w/standard takeoff minimums and a normal 200'/NM climb gradient, takeoff must occur no later than 2200' prior to departure end of runway. **Rwy 35**, 400-2½ or std. w/a min. climb of 300' per NM to 1200, or alternatively, w/standard takeoff minimums and a normal 200'/NM climb gradient, takeoff must occur no later than 2000' prior to departure end of runway.

NOTE: **Rwy 17**, multiple trees beginning 916' from departure end of runway, 169' right of centerline, up to 100' AGL/869' MSL. **Rwy 35**, tree 2216' from departure end of runway, 441' left of centerline, 52' AGL/743' MSL. Multiple trees and powerline pylons beginning 1.1 NM from departure end of runway, 180' right of centerline, up to 100' AGL/1059' MSL.

BATESVILLE, AR

BATESVILLE RGNL (BVX)

AMDT 3 10322 (FAA)

TAKE-OFF MINIMUMS: **Rwy 8**, 300-1½ or std. with a min. climb of 215' per NM to 800., or alternatively, with standard takeoff minimums and a normal 200' per NM climb gradient, takeoff must occur no later than 1600' prior to DER. **Rwy 26**, std. with a min. climb of 272' per NM to 2000, or 1100-2½ for climb in visual conditions.

DEPARTURE PROCEDURE: **Rwy 18**, climb heading 182° to 1300 before turning right. **Rwy 26**, for climb in visual conditions: cross Batesville RGNL at or above 1400, before proceeding on course.

NOTE: **Rwy 18**, WSK 204' from DER, 516' left of centerline, 24' AGL/483' MSL. Trees beginning 1412' from DER, 25' left of centerline, up to 100' AGL/679' MSL. Poles 1092' from DER, 393' left of centerline, up to 18' AGL/497' MSL. Tower 1024' from DER, 658' right of centerline, 45' AGL/524' MSL. Trees beginning 1234' from DER, 22' right of centerline, up to 88' AGL/547' MSL. **Rwy 18**, vehicle on road beginning 544' from DER, on centerline, 15' AGL/476' MSL. Hangars beginning 605' from DER, 12' right of centerline, up to 21' AGL/484' MSL. Tree 1244' from DER, 175' left of centerline, 48' AGL/521' MSL. Tree 1439' from DER, 409' right of centerline, 45' AGL/524' MSL. **Rwy 26**, trees beginning 494' from DER, 335' left of centerline, up to 33' AGL/472' MSL. **Rwy 36**, trees beginning 256' from DER, 107' left of centerline, up to 100' AGL/539' MSL.

31 MAY 2012 to 28 JUN 2012

31 MAY 2012 to 28 JUN 2012

12152

TAKE-OFF MINIMUMS AND (OBSTACLE) DEPARTURE PROCEDURES

TAKE-OFF MINIMUMS AND (OBSTACLE) DEPARTURE PROCEDURES

12152

BENTON, AR

SALINE COUNTY RGNL (SUZ)
ORIG 07354 (FAA)

NOTE: **Rwy 2**, road plus vehicles beginning 185' from departure end of runway, 331' left of centerline, 10' AGL/394' MSL. Multiple trees beginning 357' from departure end of runway, 354' left of centerline, up to 75' AGL/474' MSL. Multiple trees beginning 69' from departure end of runway, 147' right of centerline, up to 35' AGL/454' MSL. **Rwy 20**, multiple trees 1221' from departure end of runway, 15' left of centerline, up to 59' AGL/438' MSL. Multiple trees and pole beginning 1315' from departure end of runway, 10' right of centerline, up to 69' AGL/448' MSL.

BENTONVILLE, AR

BENTONVILLE MUNI/LOUISE M. THADEN
FIELD (VBT)

AMDT 1 11125 (FAA)

TAKE-OFF MINIMUMS: **Rwy 36**, 300-2¼ or std. w/ min. climb of 311' per NM to 1700.

NOTE: **Rwy 18**, trees beginning 289' from DER, 98' right of centerline, up to 100' AGL/1419' MSL. Trees beginning 621' from DER, 147' left of centerline, up to 100' AGL/1409' MSL. Building 1146' from DER, 525' right of centerline, 31' AGL/1324' MSL. **Rwy 36**, trees beginning 306' from DER, 391' left of centerline, up to 100' AGL/1389' MSL. Vehicles on road 347' from DER, left and right of centerline, up to 15' AGL/1304' MSL. Towers beginning 4038' from DER, left and right of centerline, up to 144' AGL/1446' MSL. Building 4239' from DER, 955' right of centerline, 133' AGL/1420' MSL. Transmission line towers beginning 2039' from DER, left and right of centerline, up to 81' AGL/1356' MSL. Tower 1.9 NM from DER, 1605' left of centerline, up to 345' AGL/1595' MSL.

BERRYVILLE, AR

CARROLL COUNTY (4M1)
ORIG 11013 (FAA)

TAKE-OFF MINIMUMS: **Rwy 7**, std. w/ min. climb of 355' per NM to 2700, or 1100-2½ for climb in visual conditions. **Rwy 25**, std. w/ min. climb of 365' per NM to 2500, or 1100-2½ for climb in visual conditions.

DEPARTURE PROCEDURE: **Rwys 7, 25**. For climb in visual conditions: cross Carroll County airport at or above 2200 before proceeding on course.

NOTE: **Rwy 7**, terrain and trees beginning 8' from DER, 118' right of centerline, up to 100' AGL/1379' MSL, hangars beginning 141' from DER, 238' left of centerline, up to 17' AGL/1218' MSL. Terrain and trees beginning 268' from DER, 77' left of centerline, up to 100' AGL/1379' MSL. **Rwy 25**, trees beginning 93' from DER, 212' right of centerline, up to 100' AGL/1419' MSL. Tree 104' from DER, 186' left of centerline, 51' AGL/1204' MSL.

BLACKWELL, OK

BLACKWELL-TONKAWA MUNI (BKN)
ORIG 10266 (FAA)

NOTE: **Rwy 35**, trees beginning 50' from DER, 249' left of centerline, up to 30' AGL/1050' MSL. Road with vehicles beginning 214' from DER, 397' right of centerline, up to 15' AGL/1043' MSL.

BLYTHEVILLE, AR

ARKANSAS INTL (BYH)
ORIG 08101 (FAA)

NOTE: **Rwy 36**, tree 3301' from departure end of runway, 1188' left of centerline, 88' AGL/337' MSL.

BLYTHEVILLE MUNI (HKA)

ORIG 08157 (FAA)

NOTE: **Rwy 18**, tree 487' from departure end of runway, 345' left of centerline, 100' AGL/364' MSL. Tree 1780' from departure end of runway, 748' right of centerline, 100' AGL/364' MSL. **Rwy 36**, tree 2393' from departure end of runway, 825' right of centerline, 100' AGL/359' MSL.

BOISE CITY, OK

BOISE CITY (17K)
ORIG 09295 (FAA)

NOTE: **Rwy 22**, hangars 243' from DER, 226' right of centerline, 35' AGL/4212' MSL. Vehicle on road 566' from DER, right and left of centerline, up to 15' AGL/4192' MSL.

BRINKLEY, AR

FRANK FEDERER MEMORIAL (M36)
ORIG 11293 (FAA)

DEPARTURE PROCEDURE: **Rwy 20**, climb heading 204° to 700 before proceeding on course.

NOTE: **Rwy 2**, trees beginning 425' from DER, 138' right of centerline, up to 100' AGL/299' MSL. Trees beginning 680' from DER, 262' left of centerline, up to 100' AGL/299' MSL. **Rwy 20**, trees and terrain beginning 27' from DER, 125' right of centerline, up to 100' AGL/319' MSL. Trees and terrain beginning 82' from DER, 100' left of centerline, up to 100' AGL/319' MSL.

BRISTOW, OK

JONES MEMORIAL (3F7)
AMDT 4A 10098 (FAA)

NOTE: **Rwy 17**, T-L tower 3133' from DER, 686' right of centerline, 70' AGL/960' MSL.

BUFFALO, OK

BUFFALO MUNI (BFK)
ORIG 10154 (FAA)

NOTE: **Rwy 17**, vehicles on roadway, at DER, 458' right of centerline, up to 17' AGL/1816' MSL. Trees beginning 907' from DER, left and right of centerline, up to 40' AGL/1829' MSL. **Rwy 35**, vehicles on roadway, 30' from DER, 467' left of centerline, up to 17' AGL/1846' MSL. Vehicles on roadway, 776' from DER, left and right of centerline, up to 17' AGL/1846' MSL.

31 MAY 2012 to 28 JUN 2012

31 MAY 2012 to 28 JUN 2012

12152

TAKE-OFF MINIMUMS AND (OBSTACLE) DEPARTURE PROCEDURES

 TAKE-OFF MINIMUMS AND (OBSTACLE) DEPARTURE PROCEDURES 

12152

CAMDEN, AR

HARRELL FIELD (CDH)
AMDT 1 12152 (FAA)

NOTE: **Rwy 1**, trees beginning 27' from DER, 6' right of centerline, up to 84' AGL/224' MSL. Trees beginning 163' from DER, 159' left of centerline, up to 85' AGL/255' MSL. Vehicle on road 327' from DER, 273' left of centerline, 15' AGL/146' MSL. **Rwy 19**, trees beginning 38' from DER, 88' left of centerline, up to 83' AGL/222' MSL. Trees beginning 797' from DER, 305' right of centerline, up to 84' AGL/213' MSL.

CARLISLE, AR

CARLISLE MUNI (4M3)
ORIG 08157 (FAA)

NOTE: **Rwy 9**, trees 2966' from departure end of runway, 1135' right of centerline, 100' AGL/339' MSL. Building 82' from departure end of runway, 331' left of centerline, 20' AGL/264' MSL. Building 781' from departure end of runway, 565' right of centerline, 30' AGL/269' MSL. **Rwy 18**, trees 306' from departure end of runway, across centerline, up to 100' AGL/344' MSL. Road 674' from departure end of runway, across centerline, 17' AGL/262' MSL. **Rwy 27**, trees 2668' from departure end of runway, 516' right of centerline, 100' AGL/344' MSL. **Rwy 36**, road 396' from departure end of runway, across centerline, 15' AGL/259' MSL.

CHANDLER, OK

CHANDLER RGNL

NOTE: **Rwy 35**, tree 1000' from departure end of runway, on centerline, 67' AGL/1029' MSL.

CHICKASHA, OK

CHICKASHA MUNI (CHK)
ORIG 11181 (FAA)

NOTE: **Rwy 17**, trees beginning 272' from DER, 103' right of centerline, up to 94' AGL/1183' MSL. Trees beginning 708' from DER, 507' left of centerline, up to 40' AGL/1169' MSL.

CLAREMORE, OK

CLAREMORE RGNL (GCM)
ORIG 09239 (FAA)

TAKE-OFF MINIMUMS: **Rwy 35**, 300-1½ or std. w/ min. climb of 300' per NM to 1100.
NOTE: **Rwy 17**, terrain 207' from DER, 385' left of centerline, 749' MSL. Ground 451' from DER, 505' left of centerline, 753' MSL. Terrain 208' from DER, 106' right of centerline, 739' MSL. **Rwy 35**, tree 6601' from DER, 1918' left of centerline, 100' AGL/949' MSL. Tree 473' from DER, 342' left of centerline, 19' AGL/719' MSL. Tree 1103' from DER, 510' right of centerline, 27' AGL/729' MSL. Tree 1571' from DER, 558' right of centerline, 42' AGL/739' MSL. Tree 1149' from DER, 479' left of centerline, 38' AGL/727' MSL. Tree 1510' from DER, 242' right of centerline, 46' AGL/735' MSL.

CLARKSVILLE, AR

CLARKSVILLE MUNI

TAKE-OFF MINIMUMS: **Rwy 9**, 400-2
DEPARTURE PROCEDURE: **Rwys 9, 27**, climb on runway heading to 3500 prior to turning northbound.

CLINTON, AR

HOLLEY MOUNTAIN AIRPARK (2A2)
ORIG 08325 (FAA)

NOTE: **Rwy 5**, numerous trees left and right of centerline, beginning 2' from departure end of runway, up to 100' AGL/1399' MSL. **Rwy 23**, numerous trees left and right of centerline, beginning 38' from departure end of runway, up to 100' AGL/1359' MSL.

CLINTON, OK

CLINTON RGNL

TAKE-OFF MINIMUMS: **Rwys 13, 31**, NA-obstacles. **Rwy 35**, 300-1 or std. w/ min. climb of 408' per NM to 2000.

NOTE: **Rwy 35**, tower 4403' from departure end of runway, 1625' left of centerline, 230' AGL/1780' MSL.

CLINTON-SHERMAN (CSM)

ORIG 08325 (FAA)

NOTE: **Rwy 17L**, tree 655' from departure end of runway, 317' left of centerline, 23' AGL/1932' MSL. **Rwy 17R**, tree 1275' from departure end of runway, 620' right of centerline, 35' AGL/1954' MSL. **Rwy 35R**, control tower 2797' from departure end of runway, 188' right of centerline, 66' AGL/1985' MSL. Tower 2981' from departure end of runway, 289' right of centerline, 76' AGL/1995' MSL.

CONWAY, AR

DENNIS F. CANTRELL FIELD (CWS)
AMDT 1A 11013 (FAA)

TAKE-OFF MINIMUMS: **Rwys 8, 26**, NA at night. **Rwy 26**, 200-1 or std. w/ min. climb of 346' per NM to 600.

Rwy 36, 400-2½ or std. w/ min. climb of 329' per NM to 900.

DEPARTURE PROCEDURE: **Rwy 36**, climb heading 358° to 900 before proceeding on course.

NOTE: **Rwy 8**, trees, tower, poles and a building beginning 355' from departure end of runway, 10' right of centerline, up to 100' AGL/399' MSL. Trees, buildings, poles, sign, and a vehicle on roadway beginning 65' from departure end of runway, 18' left of centerline, up to 100' AGL/399' MSL. **Rwy 18**, silo 2222' from departure end of runway, 64' right of centerline, 100' AGL/413' MSL. Trees beginning 2370' from departure end of runway, 888' right of centerline, up to 100' AGL/399' MSL.

Rwy 26, antenna 2003' from departure end of runway, 932' right of centerline, 140' AGL/449' MSL. Tank 3636' from departure end of runway, 1178' left of centerline, 165' AGL/475' MSL. Terrain beginning 27' from departure end of runway, 83' right of centerline, up to 0' AGL/325' MSL.

Rwy 36, tower 11088' from departure end of runway, 3152' right of centerline, 150' AGL/650' MSL. Tower 11231' from departure end of runway, 3894' right of centerline, 186' AGL/687'. Trees beginning 2016' from departure end of runway, 340' right of centerline, up to 100' AGL/409' MSL. Trees and towers beginning 4368' from departure end of runway, 964' left of centerline, up to 119' AGL/428' MSL.

31 MAY 2012 to 28 JUN 2012

31 MAY 2012 to 28 JUN 2012

12152

 TAKE-OFF MINIMUMS AND (OBSTACLE) DEPARTURE PROCEDURES 

TAKE-OFF MINIMUMS AND (OBSTACLE) DEPARTURE PROCEDURES

12152

CORNING, AR

CORNING MUNI (4M9)
ORIG 11125 (FAA)

NOTE: **Rwy 18**, power lines beginning 499' from DER, left and right of centerline, up to 30' AGL/319' MSL. Vehicles on roadway beginning 534' from DER, left and right of centerline, up to 15' AGL/309' MSL. Trees beginning 1067' from DER, 292' right of centerline, up to 100' AGL/379' MSL. **Rwy 36**, hangar 149' from DER, 399' left of centerline, 25' AGL/317' MSL. Vehicles on roadway beginning 535' from DER, left and right of centerline, up to 15' AGL/309' MSL. Power lines 552' from DER, left and right of centerline, up to 30' AGL/324' MSL. Trees beginning 1148' from DER, 793' right of centerline, up to 100' AGL/394' MSL. Trees beginning 2570' from DER, 1167' left of centerline, up to 100' AGL/394' MSL.

CROSSETT, AR

Z M JACK STELL FIELD (CRT)
ORIG 11209 (FAA)

NOTE: **Rwy 5**, trees beginning 1382' from DER, left and right of centerline, up to 75' AGL/259' MSL. Vehicle on road beginning 298' from DER, left and right of centerline, up to 15' AGL/199' MSL. Terrain 69' from DER, 288' left of centerline, 187' MSL. **Rwy 23**, trees beginning abeam DER, right and left of centerline, up to 75' AGL/253' MSL. Hangar, fuel tanks and shed beginning 147' from DER, 434' left of centerline, up to 17' AGL/195' MSL. Vehicle on road beginning 453' from DER, left and right of centerline, up to 15' AGL/193' MSL.

CUSHING, OK

CUSHING MUNI

TAKE-OFF MINIMUMS: **Rwys 2, 8, 11, 20, 26, 29**, NA.
Rwy 36, 400-2 or std. w/ a min. climb of 210' per NM to 1400.
DEPARTURE PROCEDURES: **Rwy 36**, climb via heading 360° to 1400' before turning left.
NOTE: **Rwy 36**, tower 2.16 NM from departure end of runway, 5370' left of centerline, 250' AGL/1263' MSL.

DEQUEEN, AR

J. LYNN HELMS SEVIER COUNTY (DEQ)
AMDT 1A 11069 (FAA)

TAKE-OFF MINIMUMS: **Rwy 8**, 400-2 or std. w/ min. climb of 378' per NM to 900.
NOTE: **Rwy 8**, tower 1.36 NM from DER, 1350' right of centerline, 198' AGL/598' MSL. **Rwy 26**, multiple trees and poles beginning 126' from DER, 64' left of centerline, up to 92' AGL/432' MSL. Multiple trees and pole beginning 241' from DER, 98' right of centerline, up to 96' AGL/436' MSL.

DECATUR, AR

CRYSTAL LAKE

TAKE-OFF MINIMUMS: **Rwy 13**, NA-obstacles.
NOTE: **Rwy 31**, railroad 208' from departure end of runway, on centerline, 23' AGL/1202' MSL, multiple trees beginning 228' from departure end of runway, left of centerline up to 1231' MSL.

DUMAS, AR

BILLY FREE MUNI
TAKE-OFF MINIMUMS: **Rwy 36**, 300-1.

DUNCAN, OK

HALLIBURTON FIELD (DUC)
AMDT 1 10266 (FAA)

TAKE-OFF MINIMUMS: **Rwy 35**, 500-2¼, or std. w/ a min. climb of 280' per NM to 1700.
NOTE: **Rwy 17**, multiple power poles beginning 978' from DER, 702' left of centerline, up to 60' AGL/1129' MSL. Multiple power poles beginning 945' from DER, 613' right of centerline, up to 60' AGL/1149' MSL. Multiple trees beginning 1704' from DER, 769' left of centerline, up to 100' AGL/1169' MSL. **Rwy 35**, multiple trees beginning 1934' from DER, left to right of centerline, up to 100' AGL/1219' MSL. Bush 7' from DER, 445' right of centerline, 9' AGL/1119' MSL. Tower 1.92 NM from DER, 2453' left of centerline, 362' AGL/1471' MSL.

DURANT, OK

DURANT RGNL - EAKER FIELD (DUA)
ORIG 10210 (FAA)

TAKE-OFF MINIMUMS: **Rwy 35**, 500-3 or std. w/ min. climb of 203' per NM to 1200, or alternatively, with standard take-off minimums and a normal 200'/NM climb gradient, take-off must occur no later than 1200' prior to DER.
NOTE: **Rwy 17**, tree 305' from DER, 553' left of centerline, 100' AGL/799' MSL. **Rwy 35**, tree 346' from DER, 568' right of centerline, 100' AGL/809' MSL. Tree 535' from DER, 585' left of centerline, 100' AGL/809' MSL. Tower 2.4 NM from DER, 420' left of centerline, 420' AGL/1073' MSL.

ELDORADO, AR

SOUTH ARKANSAS RGNL AT GOODWIN
FIELD (ELD)
AMDT 2 11293 (FAA)

NOTE: **Rwy 4**, trees beginning 3602' from DER, 685' left of centerline, up to 74' AGL/353' MSL. Trees beginning 1335' from DER, 620' right of centerline, up to 74' AGL/304' MSL. **Rwy 13**, trees beginning 83' from DER, 240' left of centerline, up to 79' AGL/309' MSL. Trees beginning 408' from DER, 261' right of centerline, up to 105' AGL/345' MSL. **Rwy 17**, trees beginning 1068' from DER, 103' left of centerline, up to 100' AGL/337' MSL. Trees beginning 45' from DER, 169' right of centerline, up to 111' AGL/344' MSL. **Rwy 22**, trees beginning 1206' from DER, 249' left of centerline, up to 109' AGL/339' MSL. Trees beginning 269' from DER, 159' right of centerline, up to 106' AGL/339' MSL. **Rwy 31**, trees beginning 217' from DER, 25' left of centerline, up to 87' AGL/353' MSL. Trees beginning 78' from DER, 248' right of centerline, up to 104' AGL/406' MSL. **Rwy 35**, trees beginning 38' from DER, across centerline, up to 87' AGL/386' MSL.

31 MAY 2012 to 28 JUN 2012

31 MAY 2012 to 28 JUN 2012

12152

TAKE-OFF MINIMUMS AND (OBSTACLE) DEPARTURE PROCEDURES

TAKE-OFF MINIMUMS AND (OBSTACLE) DEPARTURE PROCEDURES

12152

EL RENO, OK

EL RENO RGNL (RQO)
ORIG 08101 (FAA)

TAKE-OFF MINIMUMS: **Rwy 18, 36**, NA-Environmental.

Rwy 35, 200-1 or std. w/min. climb of 300' per NM to 1700.

NOTE: **Rwy 17**, vehicle on road 444' from departure end of runway, on centerline, 17' AGL/1436' MSL. **Rwy 35**, powerlines, 1800' from departure end of runway, on centerline, 80' AGL/1519' MSL.

ELK CITY, OK

ELK CITY RGNL BUSINESS

NOTE: **Rwy 35**, multiple trees beginning 43' from departure end of runway, 225' left of centerline, up to 100' AGL/2119' MSL. Multiple trees beginning 44' from departure end of runway, 22' right of centerline, up to 100' AGL/2119' MSL.

ENID, OK

ENID WOODRING RGNL (WDG)
AMDT 3A 09267 (FAA)

NOTE: **Rwy 13**, trees beginning 107' from DER, 182' right of centerline, up to 100' AGL/1269' MSL. Trees beginning 872' from DER, 308' left of centerline, up to 100' AGL/1289' MSL. **Rwy 35**, fence 218' from DER, 491' right of centerline, 8' AGL/1175' MSL. Vehicle on road beginning 253' from DER, 388' right of centerline, 15' AGL/1187' MSL. Train on railroad tracks beginning 369' from DER, left and right of centerline, 23' AGL/1190' MSL.

FAIRVIEW, OK

FAIRVIEW MUNI (6K4)
AMDT 3 11321 (FAA)

TAKE-OFF MINIMUMS: **Rwy 17**, 300-1 or std. w/min. climb of 435' per NM to 1600.

DEPARTURE PROCEDURE: **Rwy 17**, climb heading 174° to 1800 before turning left.

NOTE: **Rwy 17**, building 214' from DER, 288' right of centerline, up to 20' AGL/1299' MSL. Trees beginning 115' from DER, 298' left of centerline, up to 60' AGL/1339' MSL. Trees beginning 521' from DER, 220' right of centerline, up to 60' AGL/1339' MSL. Vehicle on road 137' from DER, 306' left of centerline, up to 15' AGL/1294' MSL. Vehicle on road 729' from DER, left and right of centerline, up to 15' AGL/1294' MSL. Power lines 705' from DER, left and right of centerline, up to 60' AGL/1339' MSL. Multiple houses beginning 565' from DER, left and right of centerline, up to 20' AGL/1299' MSL.

Rwy 35, trees beginning 1479' from DER, 486' left of centerline, up to 60' AGL/1309' MSL.

FAYETTEVILLE, AR

DRAKE FIELD (FYV)
AMDT 5 09015 (FAA)

TAKE-OFF MINIMUMS: **Rwy 16**, std. w/min. climb of 501' per NM to 1800 or 400-1 1/4 w/min. climb of 360' per NM to 1900 or 1600-2 1/2 for climb in visual conditions. **Rwy 34**, 300-1 or std. w/min. climb of 648' per NM to 1700.

DEPARTURE PROCEDURE: **Rwy 16**, climb heading 164° to 2700 before turning right, climb heading 164° to 3400 before turning left. For climb in visual conditions cross Drake Field at or above 2800 before proceeding on course. **Rwy 34**, climb heading 344° to 2700 before proceeding on course.

NOTE: **Rwy 16**, multiple trees, road, fence, light poles, terrain, buildings beginning 72' from departure end of runway, 21' left of centerline, 114' AGL/1623' MSL. Multiple trees beginning 825' from departure end of runway, 13' right of centerline, up to 105' AGL/1438' MSL. **Rwy 34**, multiple trees, road, fence, light poles, terrain beginning 1' from departure end of runway, 102' left of centerline, up to 85' AGL/1343' MSL. Multiple trees, road, fence, light poles, terrain beginning 570' from departure end of runway, 319' right of centerline, up to 59' AGL/1540' MSL.

FAYETTEVILLE/SPRINGDALE/ROGERS, AR

NORTHWEST ARKANSAS RGNL (XNA)
AMDT 3 11125 (FAA)

TAKE-OFF MINIMUMS: **Rwy 34**, 500-2 3/4 or std. w/min. climb of 227' per NM to 1900.

DEPARTURE PROCEDURE: **Rwy 35**, climb heading 336° to 1800 before turning left.

NOTES: **Rwy 16**, trees beginning 1985' from DER, 1020' right of centerline, up to 100' AGL/1321' MSL.

Rwy 34, tower 1.99 NM from DER, 1.29 NM left of centerline, 309' AGL/1729' MSL. **Rwy 35**, trees beginning 802' from DER, 694' left of centerline, up to 56' AGL/1356' MSL.

FLIPPIN, AR

MARION COUNTY RGNL

TAKE-OFF MINIMUMS: **Rwy 4**, 300-1.

DEPARTURE PROCEDURE: **Rwy 4**, turn right, direct FLP VOR, then climb on course. **Rwy 22**, climb runway heading to 900, turn left, proceed direct FLP VOR, then climb on course.

FORREST CITY, AR

FORREST CITY MUNI

TAKE-OFF MINIMUMS: **Rwy 36**, 500-3 or std. with a min. climb of 290' per NM to 900.

31 MAY 2012 to 28 JUN 2012

31 MAY 2012 to 28 JUN 2012

12152

TAKE-OFF MINIMUMS AND (OBSTACLE) DEPARTURE PROCEDURES

SC-1

TAKE-OFF MINIMUMS AND (OBSTACLE) DEPARTURE PROCEDURES

12152

FORT SMITH, AR

FORT SMITH RGNL (FSM)
AMDT 4A 11153 (FAA)

TAKE-OFF MINIMUMS: **Rwy 1**, 300-1 or std. with a min. climb of 431' per NM to 800. **Rwy 7**, 300-1½ or std. with a min. climb of 261' per NM to 800. **Rwy 19**, 200-1¼ or std. w/ a min. climb of 226' per NM to 700, or alternatively, w/ std. takeoff minimums and a normal 200'/NM climb gradient, takeoff must occur no later than 1700' prior to departure end of runway. **Rwy 25**, 300-1 or std. w/ a min. climb of 351' per NM to 800.

DEPARTURE PROCEDURE: **Rwy 1**, climb heading 016° to 2400 before turning left. **Rwy 25**, climb heading 256° to 1100 before turning right.

NOTE: **Rwy 1**, terrain 56' from DER, 218' right of centerline, 0' AGL/449' MSL. Terrain 159' from DER, 354' left of centerline, 0' AGL/449' MSL. Light pole 1086' from DER, 287' left of centerline, 36' AGL/485' MSL. Tree 1495' from DER, 364' left of centerline, 60' AGL/509' MSL. Towers beginning 4315' from DER, 79' left of centerline, up to 109' AGL/619' MSL. Trees beginning 5136' from DER, 924' right of centerline, up to 100' AGL/679' MSL. Tower 4318' from DER, 1358' left of centerline, 96' AGL/621' MSL. **Rwy 7**, terrain 835' from DER, 678' left of centerline, 0' AGL/479' MSL. Trees beginning 3910' from DER, 1032' left of centerline, up to 57' AGL/556' MSL. Trees beginning 1.2 NM from DER, 1416' right of centerline, up to 100' AGL/699' MSL. Pole 1.2 NM from DER, 1572' right of centerline, 41' AGL/640' MSL. **Rwy 19**, vehicle and road 200' from DER, 200' left of centerline, 15' AGL/462' MSL. Railroad, 639' from DER, 313' left of centerline, 20' AGL/449' MSL. Tank 704' from DER, 518' left of centerline, 31' AGL/480' MSL. Railroad 751' from DER, 2' right of centerline, 22' AGL/471' MSL. Trees beginning 930' from DER, 211' left of centerline, up to 48' AGL/627' MSL. Tree 941' from DER, 97' right of centerline, 25' AGL/474' MSL. Pole 1949' from DER, 439' left of centerline, 42' AGL/501' MSL. Elevator 2106' from DER, 969' right of centerline, 86' AGL/536' MSL. **Rwy 25**, pole 1642' from DER, 734' right of centerline, 24' AGL/513' MSL. Trees beginning 1848' from DER, 690' right of centerline, up to 100' AGL/629' MSL. Tower 4981' from DER, 1376' left of centerline, 125' AGL/623' MSL. Tank 5628' from DER, 208' left of centerline, 101' AGL/610' MSL.

FREDERICK, OK

FREDERICK RGNL (FDR)
ORIG 10266 (FAA)

NOTE: **Rwy 3**, vehicles on road 425' from DER, 231' right of centerline, 15' AGL/1269' MSL. **Rwy 12**, vehicles on road 404' from DER, 229' left of centerline, 15' AGL/1254' MSL.

GOLDSBY, OK

DAVID JAY PERRY

NOTE: **Rwy 13**, trees beginning 751' from departure end of runway, 481' left of centerline, up to 50' AGL/1209' MSL. Tree 982' from departure end of runway, 730' right of centerline, 50' AGL/1189' MSL. Terrain 101' from departure end of runway, 369' right of centerline, 1159' MSL. **Rwy 31**, tree 1624' from departure end of runway, 550' right of centerline, 50' AGL/1219' MSL. **Rwy 35**, tree 930' from departure end of runway, 45' left of centerline, 50' AGL/1199' MSL. Road 905' from departure end of runway, 18' left of centerline, 15' AGL/1194' MSL.

12152

TAKE-OFF MINIMUMS AND (OBSTACLE) DEPARTURE PROCEDURES

GROVE, OK

GROVE MUNI (GMJ)
ORIG 08269 (FAA)

TAKE-OFF MINIMUMS: **Rwy 18**, 200-1¼ or std. w/ min. climb of 271' per NM to 1100.

NOTE: **Rwy 18**, building 308' from departure end of runway, 321' left of centerline, 13' AGL/842' MSL. Multiple buildings beginning 11' from departure end of runway, 325' right of centerline, 22' AGL/851' MSL. Windsock 118' from departure end of runway, 325' right of centerline, 22' AGL/851' MSL. Light 165' from departure end of runway, 420' left of centerline, 24' AGL/863' MSL. Vehicle on road 598' from departure end of runway, 619' left of centerline, 15' AGL/854' MSL. Vehicle on road 590' from departure end of runway, 499' right of centerline, 15' AGL/844' MSL. Trees and poles beginning 33' from departure end of runway, 12' left of centerline, up to 100' AGL/1019' MSL. Trees and poles beginning 252' from departure end of runway, 13' right of centerline, up to 40' AGL/869' MSL. **Rwy 36**, rising terrain beginning 30' from departure end of runway, 277' left of centerline, up to 826' MSL. Pole 316' from departure end of runway, 521' left of centerline, 20' AGL/859' MSL. Trees beginning 151' from departure end of runway, 54' left of centerline, up to 100' AGL/939' MSL. Trees beginning 109' from departure end of runway, 49' right of centerline, up to 85' AGL/884' MSL.

GUTHRIE, OK

GUTHRIE-EDMOND RGNL (GOK)
AMDT 1 09351 (FAA)

NOTE: **Rwy 16**, trees beginning 54' from DER, 286' right of centerline, up to 44' AGL/1087' MSL.

GUYMON, OK

GUYMON MUNI (GUY)
AMDT 1 11321 (FAA)

TAKE-OFF MINIMUMS: **Rwy 18**, 600-1¼ or std. w/ min. climb of 387' per NM to 3800.

DEPARTURE PROCEDURE: **Rwy 18**, climb heading 177° to 3800 before turning left.

NOTE: **Rwy 18**, antenna 532' from DER, 484' right of centerline, 56' AGL/3157' MSL. Vent on bldg 406' from DER, 463' right of centerline, 30' AGL/3131' MSL. Pole 155' from DER, 446' left of centerline, 36' AGL/3124' MSL. Tree 589' from DER, 428' right of centerline, 28' AGL/3129' MSL. **Rwy 36**, fence 24' from DER, 400' right of centerline, 6' AGL/3110' MSL.

HARRISON, AR

BOONE COUNTY

TAKE-OFF MINIMUMS: **Rwy 18**, 1400-3 or std. with a min. climb of 320' per NM to 3200.

DEPARTURE PROCEDURE: **Rwy 18**, climb via heading 182° to 2600 before turning.

HEBER SPRINGS, AR

HEBER SPRINGS MUNI (HBZ)
ORIG 11293 (FAA)

DEPARTURE PROCEDURE: **Rwy 23**, climb heading 237° to 1200 before proceeding on course.

NOTE: **Rwy 5**, trees abeam DER, left and right of centerline, up to 100' AGL/739' MSL. Vehicles 445' from DER, 51' left of centerline, 15' AGL/655' MSL. Tower 2837' from DER, 1044' left of centerline, 185' AGL/715' MSL. **Rwy 23**, trees abeam DER, left and right of centerline, up to 100' AGL/699' MSL. Vehicles 338' from DER, on centerline, 15' AGL/634' MSL.

TAKE-OFF MINIMUMS AND (OBSTACLE) DEPARTURE PROCEDURES

12152

HELENA/WEST HELENA, AR

THOMPSON-ROBBINS

TAKE-OFF MINIMUMS: **Rwy 8**, 400-2 or std. with a min. climb of 250' per NM to 700.

HENRY POST AAF (KFSI)

FORT SILL, OK 10098

Rwy 17, Standard
Rwy 35, Standard

Rwy 35, Climb heading 008° to 2200 before proceeding on course.

TAKE-OFF OBSTACLES: **Rwy 17**: Street light 30' AGL/ 1226' MSL, 1589' from DER, 862' right of centerline. Street light 30' AGL/1210' MSL, 1139' from DER, 786' right of centerline. Trees 50' AGL/1198' MSL, 951' from DER, 671' right of centerline. Trees 50' AGL/1221' MSL, 2151' from DER, 35' left of centerline. Trees 50' AGL/ 1229' MSL, 2488' from DER, 296' right of centerline.

HENRYETTA, OK

HENRYETTA MUNI (F10)

AMDT 3 10210 (FAA)

TAKE-OFF MINIMUMS: **Rwy 36**, 500-3 or std. with a min. climb of 312' per NM to 1500.

DEPARTURE PROCEDURE: **Rwy 36**, climb heading 356° to 1300 before proceeding on course.

NOTE: **Rwy 18**, numerous trees beginning 778' from DER, 177' left of centerline, up to 100' AGL/939' MSL. Numerous trees beginning 335' from DER, 22' right of centerline, up to 100' AGL/959' MSL. **Rwy 36**, tower 13139' from DER, 885' right of centerline, 318' AGL/ 1273' MSL. Tower 8882' from DER, 6059' left of centerline, 33' AGL/1223' MSL.

HINTON, OK

HINTON MUNI (208)

ORIG 11013 (FAA)

NOTE: **Rwy 17**, vehicle on roadway at DER, 240' left of centerline, up to 15' AGL/1604' MSL. Trees beginning 731' from DER, 516' left of centerline, up to 50' AGL/ 1639' MSL. **Rwy 35**, vehicle on roadway at DER, 252' right of centerline, up to 15' AGL/1594' MSL.

HOBART, OK

HOBART RGNL (HBR)

AMDT 1 08073 (FAA)

TAKE-OFF MINIMUMS: **Rwys 3, 12, 21, 30**, NA- Environmental.

NOTE: **Rwy 35**, Terrain beginning 107' from departure end of runway, 185' left of centerline, 0' AGL/1549' MSL. terrain beginning 109' from departure end of runway, 63' right of centerline, 0' AGL/1549' MSL.

HOLDENVILLE, OK

HOLDENVILLE MUNI (F99)

ORIG 11293 (FAA)

DEPARTURE PROCEDURE: **Rwy 35**, climb heading 354° to 1400 before turning right.

NOTE: **Rwy 17**, tree 122' from DER, 370' right of centerline, 17' AGL/871' MSL. Silo 910' from DER, 715' right of centerline, 60' AGL/903' MSL. **Rwy 35**, tree 596' from DER, 520' right of centerline, 48' AGL/898' MSL. Tree 1213' from DER, 753' left of centerline, 59' AGL/909' MSL.

HOPE, AR

HOPE MUNI (M18)

ORIG 09351 (FAA)

TAKE-OFF MINIMUMS: **Rwys 4, 22**, NA-Rwy closed indefinitely.

NOTE: **Rwy 16**, tree 1395' from DER, 695' left of centerline, 70' AGL/409' MSL. Tree 1307' from DER, 842' right of centerline, 70' AGL/399' MSL. Tree 2217' from DER, on centerline, 70' AGL/399' MSL. **Rwy 34**, trees beginning 504' from DER, 113' right of centerline, up to 70' AGL/460' MSL. Trees beginning 1173' from DER, 59' left of centerline, up to 70' AGL/457' MSL. Bush 39' from DER, 162' left of centerline, 10' AGL/369' MSL. Fence 154' from DER, 474' right of centerline, 11' AGL/371' MSL. Fence 410' from DER, 90' right of centerline, 11' AGL/370' MSL. Terrain 43' from DER, 448' left of centerline, 365' MSL.

HOT SPRINGS, AR

MEMORIAL FIELD (HOT)

AMDT 6 12068 (FAA)

TAKE-OFF MINIMUMS: **Rwy 5**, std. w/min. climb of 430' per NM to 2100, or 1600-2% for climb in visual conditions. **Rwy 13**, 300-2 ¼ or std. w/min. climb of 208' per NM to 900, or alternatively, with standard takeoff minimums and a normal 200' per NM climb gradient, takeoff must occur no later than 1400' prior to DER. **Rwy 31**, 600-1½ or std. w/min. climb of 582' per NM to 2100.

DEPARTURE PROCEDURE: **Rwy 5**, climb heading 050° to 2000 before turning westbound, for climb in visual conditions cross Memorial Field at or above 2000 before proceeding on course. When executing VCOA, notify ATC prior to departure. **Rwy 13**, climb heading 130° to 1700 before proceeding on course. **Rwy 23**, climb heading 230° to 1500 before proceeding on course. **Rwy 31**, climb heading 310° to 1800 before turning right.

NOTE: **Rwy 5**, rising terrain beginning 135' from DER, 530' left of centerline, from 548' MSL up to 975' MSL. Terrain 263' from DER, 528' right of centerline, up to 548' MSL. Trees beginning abeam DER, 462' right of centerline, up to 79' AGL/654' MSL. Trees beginning 1522' from DER, 256' left of centerline, up to 100' AGL/ 1139' MSL. Obstruction light on building 1610' from DER, 300' left of centerline, 29' AGL/588' MSL. Pole 2023' from DER, 256' left of centerline, 60' AGL/618' MSL. Spire 3720' from DER, 67' left of centerline, 63' AGL/643' MSL. Tower 3783' from DER, 849' right of centerline, 80' AGL/640' MSL. Steeple 3800' from DER, 109' left of centerline, 55' AGL/643' MSL. **Rwy 13**, trees beginning 227' from DER, left and right of centerline, up to 111' AGL/584' MSL. Poles beginning 3228' from DER, 279' left of centerline, up to 88' AGL/631' MSL. Tower 1.9 NM from DER, 2016' left of centerline, 355' AGL/802' MSL. **Rwy 23**, trees beginning 175' from DER, 471' left of centerline, up to 57' AGL/506' MSL. Trees beginning 606' from DER, 636' right of centerline, up to 57' AGL/546' MSL. **Rwy 31**, trees beginning 491' from DER, left and right of centerline, up to 100' AGL/582' MSL. Pole 904' from DER, 161' left of centerline, 51' AGL/560' MSL. Trees beginning 4398' from DER, 1298' right of centerline, up to 100' AGL/ 1059' MSL.

31 MAY 2012 to 28 JUN 2012

31 MAY 2012 to 28 JUN 2012

12152

TAKE-OFF MINIMUMS AND (OBSTACLE) DEPARTURE PROCEDURES

TAKE-OFF MINIMUMS AND (OBSTACLE) DEPARTURE PROCEDURES

12152

HUGO, OK

STAN STAMPER MUNI (HHW)
ORIG 11293 (FAA)

NOTE: **Rwy 17**, trees beginning 686' from DER, 32' right of centerline, up to 100' AGL/660' MSL. **Rwy 35**, trees beginning 411' from DER, 264' left of centerline, up to 100' AGL/665' MSL. Trees beginning 1507' from DER, 61' right of centerline, up to 100' AGL/662' MSL.

IDABEL, OK

MC CURTAIN COUNTY RGNL

NOTE: **Rwy 2**, trees 1.92 NM from departure end of runway, on centerline, 100' AGL/629' MSL.

JONESBORO, AR

JONESBORO MUNI (JBR)
AMDT 2 07354 (FAA)

TAKE-OFF MINIMUMS: **Rwy 31**, NA-obstacles.

NOTE: **Rwy 5**, multiple trees beginning 872' from departure end of runway, 459' right of centerline, up to 55' AGL/304' MSL, trees 1226' from departure end of runway, 557' left of centerline, 64' AGL/315' MSL. **Rwy 13**, multiple trees and poles beginning 356' from departure end of runway, 188' right of centerline, up to 48' AGL/304' MSL. Trees and poles beginning 694' from departure end of runway, 81' left of centerline, 45' AGL/278' MSL. Railroad 600' from departure end of runway, 9' left of centerline, up to 19' AGL/275' MSL. **Rwy 23**, multiple trees beginning 2493' from departure end of runway, 282' right of centerline, up to 66' AGL/326' MSL.

LAKE VILLAGE, AR

LAKE VILLAGE MUNI (M32)
ORIG 10042 (FAA)

NOTE: **Rwy 1**, trees beginning 1184' from DER, left and right of centerline, up to 100' AGL/229' MSL. **Rwy 19**, trees beginning 654' from DER, left and right of centerline, up to 100' AGL/229' MSL.

LAWTON, OK

LAWTON-FT SILL RGNL (LAW)
ORIG 10042 (FAA)

NOTE: **Rwy 17**, tree 1709' from DER, 870' left of centerline, 60' AGL/1119' MSL. Tree 918' from DER, 733' right of centerline, 31' AGL/1098' MSL. **Rwy 35**, tree 2377' from DER, 802' left of centerline, 60' AGL/1179' MSL.

LITTLE ROCK, AR

ADAMS FIELD (LIT)
AMDT 8 08269 (FAA)

TAKE-OFF MINIMUMS: **Rwy 18**, 300-1½ or std. w/ min. climb of 391' per NM to 600. **Rwy 22L**, 300-1¾ or std. w/ min. climb of 216' per NM to 500, or alternatively, with standard takeoff minimums and a normal 200' per NM climb gradient, takeoff must occur no later than 1500' prior to departure end of runway. **Rwy 22R**, 300-2 or std. w/ min. climb of 329' per NM to 1100.

DEPARTURE PROCEDURE: **Rwy 22R**, climb heading 225° to 1100 before turning right. **Rwy 36**, climb heading 360° to 800 before turning left.

NOTE: **Rwy 4L**, tree 1784' from departure end of runway, 787' right of centerline, 100' AGL/339' MSL. **Rwy 4R**, tree 3337' from departure end of runway, 1050' right of centerline, 100' AGL/349' MSL. **Rwy 18**, trees beginning 1147' from departure end of runway, 153' left of centerline, up to 100' AGL/401' MSL. Vehicle/road 2037' from departure end of runway, 177' left of centerline, 17' AGL/313' MSL, railroad 1264' from departure end of runway, 18' left of centerline, 23' AGL/285' MSL. Trees beginning 1473' from departure end of runway, 132' right of centerline, up to 100' AGL/479' MSL, elevator 4633' from departure end of runway, 371' right of centerline, 88' AGL/399' MSL. Train 60' from departure end of runway, 470' right of centerline, 23' AGL/282' MSL. Stack 4873' from departure end of runway, 75' right of centerline, 87' AGL/402' MSL. Railroad crossing guard 489' from departure end of runway, 545' right of centerline, 26' AGL/282' MSL. Railroad 777' from departure end of runway, 537' right of centerline, 23' AGL/277' MSL. **Rwy 22L**, trees, beginning 782' from departure end of runway, 174' left of centerline, up to 100' AGL/419' MSL. Obstruction light poles, beginning 2130' from departure end of runway, 754' left of centerline, up to 100' AGL/364' MSL. Building 1310' from departure end of runway, 820' left of centerline, 25' AGL/300' MSL. Trees, beginning 4728' from departure end of runway, 1423' right of centerline, up to 100' AGL/499' MSL. Light 982' from departure end of runway, 503' right of centerline, 100' AGL/295' MSL. **Rwy 22R**, trees beginning 1236' from departure end of runway, 407' left of centerline, up to 100' AGL/512' MSL. Railroad 969' from departure end of runway, 731' left of centerline, 26' AGL/285' MSL. Antenna 9769' from departure end of runway, 2625' left of centerline, 119' AGL/508' MSL. Train 441' from departure end of runway, 608' right of centerline, 23' AGL/282' MSL. Poles beginning 948' from departure end of runway, 101' right of centerline, up to 34' AGL/293' MSL. Building 1169' from departure end of runway, 420' right of centerline, 32' AGL/291' MSL. Trees beginning 1702' from departure end of runway, 356' right of centerline, up to 100' AGL/311' MSL. Railroad crossing guard 819' from departure end of runway, 216' right of centerline, 23' AGL/282' MSL. Antenna 349' from departure end of runway, 479' right of centerline, 18' AGL/267' MSL. **Rwy 36**, trees beginning 449' from departure end of runway, 15' left of centerline, up to 100' AGL/370' MSL. Pole 904' from departure end of runway, 386' left of centerline, 41' AGL/300' MSL. Tower 1669' from departure end of runway, 505' left of centerline, 60' AGL/313' MSL. Trees beginning 350' from departure end of runway, 408' right of centerline, up to 100' AGL/347' MSL. Pole 902' from departure end of runway, 25' right of centerline, 42' AGL/301' MSL.

31 MAY 2012 to 28 JUN 2012

31 MAY 2012 to 28 JUN 2012

12152

TAKE-OFF MINIMUMS AND (OBSTACLE) DEPARTURE PROCEDURES

SC-1

12152

LITTLE ROCK AFB (KLRF)

JACKSONVILLE, AR 08045
 DEPARTURE PROCEDURE: **Rwy 25:** Cross DER at least 13' AGL/299 MSL. 467' (80' AGL) trees, 6528' from departure end of rwy, 2248' left of centerline.
 TAKE-OFF OBSTACLES: **Rwy 07:** Multiple trees up to 80' AGL/367' MSL, 1045' from DER, 724' right of centerline. Multiple trees up to 80' AGL/370' MSL, 1433' from DER, 674' left of centerline. **Rwy 07** (Assault Strip): Terrain 299' MSL, 26' from DER, 337' left of centerline. Terrain 292' MSL, 32' from DER, 413' right of centerline. Multiple trees 80' AGL/384' MSL, 1882' from DER, 536' left of centerline. Multiple trees 80' AGL/367' MSL, 2960' from DER, 1174' right of centerline. **Rwy 25:** Multiple trees 80' AGL/364' MSL, 1006' from DER, 722' right of centerline. Multiple trees 80' AGL/400' MSL, 4200' from DER, 757' left of centerline. **Rwy 25** (Assault Strip): Terrain 312' MSL, 4' from DER, 372' right of centerline. Multiple trees 80' AGL/436' MSL, 1387' from DER, 840' right of centerline.

MADILL, OK

MADILL MUNI (1F4)
 AMDT 1 11293 (FAA)

DEPARTURE PROCEDURE: **Rwy 18,** climb heading 190° to 3100 before turning left. **Rwy 36,** climb heading 360° to 1600 before proceeding on course.
 NOTE: **Rwy 18,** trees across centerline beginning 713' from DER, up to 50' AGL/920' MSL. **Rwy 36,** trees beginning 432' from DER, 139' left of centerline, up to 50' AGL/890' MSL. Trees beginning 817' from DER, 110' right of centerline, up to 50' AGL/890' MSL.

MAGNOLIA, AR

MAGNOLIA MUNI
 NOTE: **Rwy 18,** 100' AGL tree 1950' from departure end of runway, 350' left of centerline.

MALVERN, AR

MALVERN MUNI
 NOTE: **Rwy 4,** multiple trees beginning 456' from departure end of runway, 1' left of centerline, up to 100' AGL/649' MSL. Multiple trees beginning 456' from departure end of runway, 1' right of centerline, up to 100' AGL/649' MSL. **Rwy 22,** multiple trees and powerlines beginning 241' from departure end of runway, 1' left of centerline, up to 75' AGL/604' MSL. Multiple trees and powerlines beginning 241' from departure end of runway, 1' right of centerline, up to 75' AGL/604' MSL.

MANGUM, OK

SCOTT FIELD (2K4)
 ORIG 11069 (FAA)
 NOTE: **Rwy 17,** vehicle on road 1240' from DER, left to right of centerline, 15' AGL/1694' MSL. Multiple trees 977' from DER, 33' right of centerline, 100' AGL/1779' MSL. **Rwy 35,** vehicle on road 632' from DER, left to right of centerline, 15' AGL/1644' MSL.

MANILA, AR

MANILA MUNI (MXA)
 ORIG 10294 (FAA)
 NOTE: **Rwy 18,** vehicle on road 439' from DER, 10' left of centerline, 15' AGL/255' MSL. Trees beginning 1796' from DER, 43' left of centerline, up to 100' AGL/344' MSL. Trees 1791' from DER, 139' right of centerline, up to 100' AGL/344' MSL. **Rwy 36,** multiple trees beginning 1091' from DER, 43' left of centerline, up to 100' AGL/344' MSL.

MARIANNA, AR

MARIANNA/LEE COUNTY - STEVE EDWARDS FIELD (6M7)
 ORIG 10210 (FAA)
 NOTE: **Rwy 18,** numerous poles beginning 85' from DER, 372' right of centerline, up to 52' AGL/269' MSL. Trees 1161' from DER, 530' right of centerline, up to 63' AGL/280' MSL. **Rwy 36,** trees beginning at DER, 483' left of centerline, up to 55' AGL/276' MSL. Trees 717' from DER, 682' right of centerline, up to 52' AGL/266' MSL.

MC ALESTER, OK

MC ALESTER RGNL (MLC)
 ORIG-A 09183 (FAA)
 TAKE-OFF MINIMUMS: **Rwy 2,** 300-1½ or std. w/a min. climb of 318' per NM to 1100. **Rwy 20,** 300-2 or std. w/a min. climb of 232' per NM to 1100 or alternatively, with standard takeoff minimums and a normal 200'/NM climb gradient, takeoff must occur no later than 1900' prior to DER.
 NOTE: **Rwy 2,** light standard, tree and pole beginning 203' from DER, 302' right of centerline, up to 59' AGL/828' MSL. Pole 104' from DER, 276' left of centerline, 31' AGL/780' MSL. Tree 5344' from DER, 1912' left of centerline, 100' AGL/989' MSL. **Rwy 20,** multiple trees and poles beginning 715' from DER, 66' right and 97' left of centerline, up to 50' AGL/934' MSL. Radio mast 9021' from DER, 2565' right of centerline, 266' AGL/985' MSL.

MC GEHEE, AR

MC GEHEE MUNI (7M1)
 ORIG 11349 (FAA)
 NOTE: **Rwy 18,** trees beginning 2594' from DER, left and right of centerline, up to 100' AGL/234' MSL. **Rwy 36,** trees beginning 456' from DER, 365' left of centerline, up to 100' AGL/244' MSL. Trees beginning 2143' from DER, 1048' right of centerline, up to 100' AGL/244' MSL. Trees beginning 2404' from DER, 899' left of centerline, up to 100' AGL/244' MSL.

MELBOURNE, AR

MELBOURNE MUNI-JOHN E MILLER FIELD
 TAKE-OFF MINIMUMS: **Rwy 21,** 300-1¼ or std. with a min. climb of 211' per NM to 1000.
 NOTE: **Rwy 21,** water tank 1.1 NM from departure end of runway, 49' left of centerline, 105' AGL/939' MSL.

31 MAY 2012 to 28 JUN 2012

31 MAY 2012 to 28 JUN 2012

12152

12152

MENA, AR

MENA INTERMOUNTAIN MUNI

TAKE-OFF MINIMUMS: **Rwy 9**, std. with a min. climb of 284' per NM to 3500, or 1300-2½ for climb in visual conditions. **Rwy 17**, std. with a min. climb of 426' per NM to 3400, or 1300-2½ for climb in visual conditions. **Rwy 27**, std. with a min. climb of 408' per NM to 3500, or 1300-2½ for climb in visual conditions. **Rwy 35**, std. with a min. climb of 293' per NM to 3400, or 1300-2½ for climb in visual conditions.

DEPARTURE PROCEDURE: **Rwys 9, 17, 27, 35**, for climb in visual conditions: cross Mena Intermountain Municipal Airport at or above 2300.

NOTE: **Rwy 27**, trees 2.01 NM from departure end of runway, on centerline, 100' AGL/1759' MSL.

MIAMI, OK

MIAMI MUNI (MIO)

ORIG 11293 (FAA)

NOTE: **Rwy 17**, buildings, trees, and powerlines beginning 772' from DER, 339' left of centerline, up to 100' AGL/899' MSL. Building 3539' from DER, 738' right of centerline, 100' AGL/899' MSL. **Rwy 35**, building, trees, and powerlines beginning 1398' from DER, 449' right of centerline, up to 100' AGL/919' MSL.

MONTICELLO, AR

MONTICELLO MUNI/ELLIS FIELD (LLQ)

ORIG 08213 (FAA)

TAKE-OFF MINIMUMS: **Rwy 21**, 200-1¼ or std. w/ min. climb of 436' per NM to 600.

NOTE: **Rwy 3**, tree 278' from departure end of runway, 544' left of centerline, 100' AGL/349' MSL. Vehicle on road 625' from departure end of runway, 628' right of centerline, 15' AGL/264' MSL. **Rwy 21**, tree 3687' from departure end of runway, 819' left of centerline, 100' AGL/469' MSL. Vehicle on road 1000' from departure end of runway, 676' left of centerline, 15' AGL/294' MSL. Trees beginning 435' from departure end of runway, 607' right of centerline, up to 100' AGL/399' MSL. Powerline 5621' from departure end of runway, 994' right of centerline, 79' AGL/458' MSL. Powerline 4504' from departure end of runway, 1652' right of centerline, 79' AGL/388' MSL.

MOORELAND, OK

MOORELAND MUNI (MDF)

ORIG 11293 (FAA)

NOTE: **Rwy 17**, trees beginning 191' from DER, 182' right of centerline, up to 50' AGL/2003' MSL. Trees beginning 421' from DER, 337' left of centerline, up to 50' AGL/2006' MSL. Power pole 498' from DER, 176' right of centerline, 35' AGL/1992' MSL. **Rwy 35**, power pole 1225' from DER, 43' left of centerline, 35' AGL/2004' MSL.

MORRILTON, AR

MORRILTON MUNI (BDQ)

ORIG-A 08129 (FAA)

TAKE-OFF MINIMUMS: **Rwy 27**, Std. w/ min. climb of 211' per NM to 1600 or 900-2½ for climb in visual conditions.

DEPARTURE PROCEDURE: **Rwy 27**, For climb in visual conditions cross Morrilton Municipal Airport at or above 1100 MSL before proceeding on course.

NOTE: **Rwy 9**, trees beginning 321' from departure end of runway, 511' right of centerline up to 100' AGL/419' MSL. Trees beginning 3378' from departure end of runway, 346' left of centerline, up to 100' AGL/449' MSL. **Rwy 27**, trees beginning 814' from departure end of runway, 317' left of centerline up to 100' AGL/399' MSL. Trees beginning 1552' from departure end of runway, 6' right of centerline up to 100' AGL/429' MSL.

PETIT JEAN PARK

TAKE-OFF MINIMUMS: **Rwy 21**, 400-2 or std. with a min. climb of 420' per NM to 1400.

DEPARTURE PROCEDURE: **Rwy 3**, climb runway heading to 1300 before turning.

MOUNTAIN HOME, AR

BAXTER COUNTY (BPK)

TAKE-OFF MINIMUMS: **Rwy 5**, 300-1 or std. with a min. climb of 270' per NM to 1300.

DEPARTURE PROCEDURE: **Rwy 5**, turn right. **Rwy 23**, turn left. All aircraft proceed direct via FLP VOR/ DME then climb on course.

MOUNTAIN VIEW, AR

MOUNTAIN VIEW WILCOX MEMORIAL FIELD

TAKE-OFF MINIMUMS: **Rwy 9**, 1000-3 or std. with a min. climb of 370' per NM to 2100. **Rwy 27**, 1800-3 or std. with a min. climb of 350' per NM to 3100.

DEPARTURE PROCEDURE: **Rwy 9**, climb via heading 092° to 2100 before turning. **Rwy 27**, climb via heading 272° to 3100 before turning.

MULDROW AHP (KHMY)

LEXINGTON, OK ORIG, 08213

TAKE-OFF OBSTACLES: **Rwy 17**, trees, poles, buildings and fence, up to 60' AGL/1149' MSL, 17' from DER, left and right of centerline. **Rwy 35**, trees, pole and NDB, up to 70' AGL/1161' MSL, 45' from DER, left and right of centerline.

MUSKOGEE, OK

DAVIS FIELD (MKO)

ORIG 08213 (FAA)

TAKE-OFF MINIMUMS: **Rwys 18, 36**, NA-Environmental. **Rwy 22**, 200-1¼ or std. w/ min. climb of 436' per NM to 900. **Rwy 31**, 300-1½ or std. w/ min. climb of 217' per NM to 900, or alternatively, with standard takeoff minimums and a normal 200' per NM climb gradient, takeoff must occur no later than 1700' prior to departure end of runway.

NOTE: **Rwy 22**, tree 3637' from departure end of runway, 985' right of centerline, 100' AGL/809' MSL. **Rwy 31**, tree 7679' from departure end of runway, 851' left of centerline, 100' AGL/819' MSL.

31 MAY 2012 to 28 JUN 2012

31 MAY 2012 to 28 JUN 2012

12152

TAKE-OFF MINIMUMS AND (OBSTACLE) DEPARTURE PROCEDURES

12152

NASHVILLE, AR

HOWARD COUNTY (M77)
ORIG 12040 (FAA)

NOTE: **Rwy 1**, fence and trees beginning 16' from DER, 259' left of centerline, up to 70' AGL/613' MSL. Trees beginning 49' from DER, 344' right of centerline, up to 76' AGL/601' MSL. **Rwy 19**, trees, buildings, poles, antenna, catenary, and road beginning 12' from DER, 200' left of centerline, up to 97' AGL/592' MSL. Trees and catenary beginning 85' from DER, 241' right of centerline, up to 92' AGL/591' MSL.

NEWPORT, AR

NEWPORT MUNI (M19)
ORIG 08269 (FAA)

NOTE: **Rwy 22**, building beginning 1947' from departure end of runway, 452' right of centerline, 60' AGL/299' MSL. **Rwy 36**, trees 2163' from departure end of runway, 939' left of centerline, up to 100' AGL/339' MSL.

NORMAN, OK

UNIVERSITY OF OKLAHOMA WESTHEIMER
(OUN)
ORIG-A 11181 (FAA)

NOTE: **Rwy 3**, multiple elevators, tower, cement hopper, and silo antenna beginning 1452' from DER and 358' right of centerline, up to 59' AGL/1236' MSL. **Rwy 21**, terrain 167' from DER, 506' right of centerline, 1182' MSL. **Rwy 35**, multiple poles beginning 699' from DER 518' right of centerline, up to 37' AGL/1215' MSL.

NORTH LITTLE ROCK, AR

NORTH LITTLE ROCK MUNI

NOTE: **Rwy 5**, 80' AGL tree 360' from departure end of runway, 500' right of centerline. **Rwy 35**, 45' AGL trees 650' from departure end of runway, 300' left of centerline; 85' AGL tree 700' from departure end of runway, 600' right of centerline.

OKLAHOMA CITY, OK

CLARENCE E. PAGE MUNI

NOTE: **Rwy 17R**, multiple trees beginning 43' from departure end of runway, 331' right of centerline, 15' AGL/1348' MSL. Multiple trees beginning 260' from departure end of runway, 345' left of centerline, 37' AGL/1366' MSL. **Rwy 35L**, bush 90' from departure end of runway, 482' left of centerline, 8' AGL/1358' MSL.

SUNDANCE AIRPARK (HSD)

AMDT 1 10154 (FAA)

DEPARTURE PROCEDURE: **Rwy 17**, climb heading 171° to 1700 before proceeding on course.

NOTE: **Rwy 17**, multiple trees 134' from DER, 237' left of centerline, up to 45' AGL/1238' MSL. Building 442' from DER, 472' left of centerline, 22' AGL/1215' MSL. Tower 4132' from DER, 561' left of centerline, 109' AGL/1334' MSL. Tower 4808' from DER, 109' right of centerline, 109' AGL/1341' MSL. **Rwy 35**, multiple trees 131' from DER, 330' left of centerline, up to 34' AGL/1187' MSL.

WILL ROGERS WORLD

NOTE: **Rwy 35L**, post 47' from departure end of runway, 495' left of centerline, 14' AGL/1287' MSL. **Rwy 36**, obstruction light on lighted WSK 678' from departure end of runway, 153' left of centerline, 31' AGL/1295' MSL.

OKLAHOMA CITY, OK (CON'T)

WILEY POST (PWA)
AMDT 4 07354 (FAA)

TAKE-OFF MINIMUMS: **Rwy 17L**, 200-1 or std. with a min. climb of 310' per NM to 1600.

DEPARTURE PROCEDURE: **Rwy 13**, climb heading 127° to 2300 before turning left. **Rwys 35L, 35R**, climb heading 352° to 1900 before turning right.

NOTE: **Rwy 13**, multiple trees 2032' from departure end of runway, 405' left of centerline, 50' AGL/1359' MSL. Multiple hangars 466' from departure end of runway,

465' left of centerline, 17' AGL/1316' MSL.

Multiple hangars 1348' from departure end of runway, 604' right of centerline, 35' AGL/1334' MSL. **Rwy 17L**, multiple tanks 4592' to 6210' from departure end of runway, 1220' to 1385' left of centerline, up to 148' AGL/1478' MSL. Multiple trees 1292' to 1360' from departure end of runway,

645' to 727' right of centerline, up to 50' AGL/1345' MSL. **Rwy 17R**, windsock 326' from departure end of runway, 421' left of centerline, 20' AGL/1305' MSL. **Rwy 31**, road with vehicle 556' from departure end of runway, 319' left of centerline, 15' AGL/1289' MSL. **Rwy 35L**,

multiple trees 706' from departure end of runway, 560' left of centerline, 50' AGL/1329' MSL. Spire 2442' from departure end of runway, 900' left of centerline, 86' AGL/1366' MSL.

OKMULGEE, OK

OKMULGEE RGNL

DEPARTURE PROCEDURE: **Rwy 36**, climb heading 356° to 1600 before proceeding on course.

NOTE: **Rwy 18**, multiple trees beginning 1303' from departure end of runway, 69' left of centerline, up to 100' AGL/779' MSL. Multiple trees beginning 1699' from departure end of runway, 12' right of centerline, up to 100' AGL/779' MSL.

OSCEOLA, AR

OSCEOLA MUNI

TAKE-OFF MINIMUMS: **Rwy 1**, 300-1.

NOTE: **Rwy 1**, 180' AGL antenna 3003' from departure end of runway, 20' right of centerline.

31 MAY 2012 to 28 JUN 2012

31 MAY 2012 to 28 JUN 2012

12152

TAKE-OFF MINIMUMS AND (OBSTACLE) DEPARTURE PROCEDURES

TAKE-OFF MINIMUMS AND (OBSTACLE) DEPARTURE PROCEDURES

12152

OZARK, AR

OZARK-FRANKLIN COUNTY (7M5)

AMDT 2 10154 (FAA)

TAKE-OFF MINIMUMS: **Rwy 4**, 400-1½ or std. w/ min. climb of 492' per NM to 1200.

Rwy 22, std. w/ min. climb of 245' per NM to 1400, or 900 - 2½ for climb in visual conditions.

DEPARTURE PROCEDURE: **Rwy 4**, climbing right turn to 3000 via FSM R-064 to FSM VORTAC before proceeding on course. **Rwy 22**, climbing right turn to 3000 via FSM R-064 to FSM VORTAC before proceeding on course, or for climb in visual conditions cross Ozark-Franklin County airport southwest bound at or above 1400 then climb to 3000 via FSM R-064 to FSM VORTAC before proceeding on course.

NOTE: **Rwy 4**, tower 6713' from DER, 470' left of centerline, 995' MSL/205' AGL. Multiple trees and terrain beginning 27' from DER, 5' right of centerline, up to 50' AGL/849' MSL. Multiple trees and terrain beginning 42' from DER, 87' left of centerline, up to 50' AGL/909' MSL. Tank 582' from DER, 521' left of centerline, 13' AGL/678' MSL. Tower 57' from DER, 404' right of centerline, 34' AGL/687' MSL. **Rwy 22**, multiple trees beginning 159' from DER, 59' right of centerline, up to 50' AGL/949' MSL. Multiple trees beginning 154' from DER, 59' left of centerline, up to 50' AGL/909' MSL.

PARAGOULD, AR

KIRK FIELD

TAKE-OFF MINIMUMS: **Rwy 4**, 300-1 or std. with a min. climb of 333' per NM to 600. **Rwys 8, 26**, NA-unsurveyed turf runways. **Rwy 22**, 200-1.

NOTE: **Rwy 4**, tank 5070' from departure end of runway, 883' right of centerline, 190' AGL/470' MSL. Road 1285' from departure end of runway, on centerline, 289' MSL. Sign 1506' from departure end of runway, 135' right of centerline, 50' AGL/331' MSL. **Rwy 22**, sign 311' from departure end of runway, 285' right of centerline, 30' AGL/325' MSL. Road 300' from departure end of runway, on centerline, 295' MSL.

PAULS VALLEY, OK

PAULS VALLEY MUNI (PVJ)

ORIG 10154 (FAA)

TAKE-OFF MINIMUMS: **Rwy 12**, 500-1½ or std. w/ min. climb of 282' per NM to 1300, or alternatively, with standard take-off minimums and a normal 200' per NM climb gradient, take-off must occur no later than 1200' prior to DER.

NOTE: **Rwy 12**, tank 1.13 NM from DER, 2259' right of centerline, 200' AGL/1130' MSL. **Rwy 35**, tree 1247' from DER, 364' right of centerline, 100' AGL/1040' MSL.

PERRY, OK

PERRY MUNI (F22)

ORIG 10322 (FAA)

NOTE: **Rwy 17**, vehicle on road 735' from DER, 680' right of centerline, up to 15' AGL/1023' MSL. Vehicle on road 721' from DER, 4' left of centerline, up to 15' AGL/1023' MSL. Trees beginning 243' from DER, 180' right of centerline, up to 100' AGL/1149' MSL. Trees beginning 786' from DER, 201' left of centerline, up to 100' AGL/1149' MSL. **Rwy 35**, trees beginning 101' from DER, 297' left of centerline, up to 26' AGL/996' MSL.

12152

PINE BLUFF, AR

GRIDER FIELD (PFB)

ORIG 11125 (FAA)

NOTE: **Rwy 18**, trees beginning 145' from DER, 259' left of centerline, up to 27' AGL/224' MSL. Trees beginning 223' from DER, 503' right of centerline, up to 92' AGL/289' MSL. **Rwy 36**, trees beginning 2187' from DER, 323' left of centerline, up to 92' AGL/289' MSL. Tree 2333' from DER, 252' right of centerline, 66' AGL/263' MSL.

PONCA CITY, OK

PONCA CITY RGNL (PNC)

ORIG 07354 (FAA)

NOTE: **Rwy 17**, multiple buildings, poles, and antenna beginning 195' from departure end of runway, 303' right of centerline, up to 81' AGL/1071' MSL. Trees and pole 1304' from departure end of runway, from 400' left of centerline, 70' AGL/1061' MSL. **Rwy 35**, antenna on building 10' from departure end of runway, 437' right of centerline, 13' AGL/1013' MSL. Trees 1475' from departure end of runway, 350' right of centerline 50' AGL/1030' MSL.

POTEAU, OK

ROBERT S. KERR

DEPARTURE PROCEDURE: **Rwy 18**, climb runway heading to 2500 before turning on course. **Rwy 36**, climb runway heading to 2800 before turning on course.

NOTE: **Rwy 36**, cross departure end of runway at or above 16' AGL/461' MSL.

PRYOR, OK

MID-AMERICA INDUSTRIAL

DEPARTURE PROCEDURE: **Rwys 18, 36**, climb to 1400 before turning on course.

ROGERS, AR

ROGERS MUNI-CARTER FIELD (ROG)

ORIG-A 11069 (FAA)

NOTE: **Rwy 2**, tree 33' from DER, 396' right of centerline, 62' AGL/1382' MSL. Multiple trees beginning 99' from DER, 430' left of centerline, up to 85' AGL/1385' MSL. **Rwy 20**, multiple towers and trees beginning 393' from DER, 209' right of centerline, up to 122' AGL/1462' MSL. Multiple towers and trees beginning 567' from DER, 81' left of centerline, up to 108' AGL/1469' MSL.

RUSSELLVILLE, AR

RUSSELLVILLE RGNL

TAKE-OFF MINIMUMS: **Rwy 7**, 500-2 or std. with a min. climb of 490' per NM to 900. **Rwy 25**, 1800-3 or std. with a min. climb of 230' per NM to 2200.

NOTE: **Rwy 7**, building, 3192' from departure end of runway, 204' left of centerline, 50' AGL/520' MSL.

TAKE-OFF MINIMUMS AND (OBSTACLE) DEPARTURE PROCEDURES

12152

SALLISAW, OK

SALLISAW MUNI (JSV)

AMDT 2 11069 (FAA)

TAKE-OFF MINIMUMS: **Rwy 17**, 400-2½ or std. w/ min. climb of 229' per NM to 1100. **Rwy 35**, 700-2¼ or std. w/ min. climb of 450' per NM to 1400.

DEPARTURE PROCEDURE: **Rwy 17**, climb heading 175° to 1100 before turning left.

NOTE: **Rwy 17**, multiple trees beginning 197' from DER, 300' left of centerline, up to 89' AGL/598' MSL. Multiple trees beginning 508' from DER, 178' right of centerline, 65' AGL/574' MSL. Tree 2214' from DER, 180' right of centerline, 63' AGL/573' MSL. **Rwy 35**, tower 2874' from DER, 719' left of centerline, 90' AGL/647' MSL. Tower 3278' from DER, 1051' left of centerline, 80' AGL/649' MSL. Tower 1.9 NM from DER, 331' right of centerline, 495' AGL/1161' MSL.

SAND SPRINGS, OK

WILLIAM R. POGUE MUNI (OWP)

AMDT 3 11069 (FAA)

TAKE-OFF MINIMUMS: **Rwy 35**, 300-1½ or std. w/ min. climb of 253' per NM to 1300.

DEPARTURE PROCEDURE: **Rwy 17**, climb heading 169° to 1900 before turning left. **Rwy 35**, climb heading 349° to 2300 before turning right.

NOTE: **Rwy 17**, trees beginning 76' from DER, 235' left of centerline, up to 59' AGL/969' MSL. Trees beginning 231' from DER, 346' right of centerline, up to 59' AGL/939' MSL.

SEARCY, AR

SEARCY MUNI (SRC)

ORIG 11293 (FAA)

NOTE: **Rwy 1**, trees beginning 984' from DER, 327' left of centerline, up to 62' AGL/322' MSL. Trees beginning 1202' from DER, 576' right of centerline, up to 53' AGL/303' MSL. **Rwy 19**, trees beginning 1521' from DER, 629' left of centerline, up to 56' AGL/283' MSL. Trees beginning 2638' from DER, 816' right of centerline, up to 98' AGL/331' MSL.

SEMINOLE, OK

SEMINOLE MUNI

NOTE: **Rwy 16**, powerline 419' from departure end of runway, 403' left of centerline, 46' AGL/1025' MSL.

SHAWNEE, OK

SHAWNEE RGNL (SNL)

ORIG 10210 (FAA)

NOTE: **Rwy 17**, multiple trees 620' from DER, 176' left of centerline, up to 41' AGL/1111' MSL. Multiple light poles 1408' from DER, 650' left of centerline, up to 39' AGL/1109' MSL. Multiple trees 165' from DER, 85' right of centerline, up to 43' AGL/1103' MSL. **Rwy 35**, tree 93' from DER, 499' left of centerline, 15' AGL/1075' MSL.

SILLOAM SPRINGS, AR

SMITH FIELD

NOTE: **Rwy 18**, light pole 1320' from departure end of runway, 358' right of centerline, 31' AGL/1209' MSL. Trees 795' from departure end of runway, 354' left of centerline, up to 25' AGL/1197' MSL. Trees 1272' from departure end of runway, 340' right of centerline, up to 34' AGL/1212' MSL. **Rwy 36**, power pole 1185' from departure end of runway, 567' right of centerline, 31' AGL/1223' MSL. Trees 528' from departure end of runway, 424' left of centerline, up to 54' AGL/1241' MSL. Trees 532' from departure end of runway, 354' right of centerline, up to 39' AGL/1232' MSL.

SPRINGDALE, AR

SPRINGDALE MUNI (ASG)

AMDT 5 10322 (FAA)

TAKE-OFF MINIMUMS: **Rwy 36**, 400-2½ or std. w/ min. climb of 332' per NM to 1900.

DEPARTURE PROCEDURE: **Rwy 36**, Climb heading 003° to 2000 before turning.

NOTE: **Rwy 18**, trees and poles beginning 166' from DER, 242' left of centerline, up to 56' AGL/1395' MSL. Trees beginning 42' from DER, 374' right of centerline, up to 69' AGL/1408' MSL. **Rwy 36**, trees, tower, fence, and road beginning 296' from DER, 191' left of centerline, up to 44' AGL/1404' MSL. Poles, trees, and building 15 beginning 354' from DER, 324' right of centerline, up to 59' AGL/1418' MSL.

STIGLER, OK

STIGLER RGNL (GZL)

ORIG 11181 (FAA)

NOTE: **Rwy 17**, terrain 377' from DER, 239' left of centerline, 608' MSL. Tree 879' from DER, 235' right of centerline, 52' AGL/651' MSL. **Rwy 35**, poles and wire-line beginning 841' from DER, crossing right and left of centerline, up to 57' AGL/644' MSL.

STILLWATER, OK

STILLWATER RGNL (SWO)

ORIG 11293 (FAA)

DEPARTURE PROCEDURE: **Rwy 17**, climb heading 174° to 1600 before turning right. **Rwy 22**, climb heading 220° to 2500 before turning right.

NOTE: **Rwy 4**, fence 191' from DER, 271' left of centerline, 11' AGL/991' MSL. Tree 857' from DER, 545' left of centerline, 30' AGL/1 020' MSL. Tree 498' from DER, 331' right of centerline, 26' AGL/1 006' MSL. **Rwy 17**, building and trees beginning 1075' from DER, from 540' left of centerline, up to 60' AGL/1019' MSL. **Rwy 22**, trees beginning 1158' from DER, 770' left of centerline, up to 60' AGL/1029' MSL. **Rwy 35**, trees beginning 94' from DER, 229' left of centerline, up to 60' AGL/1059' MSL. Trees beginning 782' from DER, 669' right of centerline, up to 60' AGL/1039' MSL. Plant 1688' from DER, 729' right of centerline, 79' AGL/1059' MSL.

31 MAY 2012 to 28 JUN 2012

31 MAY 2012 to 28 JUN 2012

12152



12152

STUTTGART, AR

STUTTGART MUNI

NOTE: Rwy 18, tree 108' from departure end of runway, 286' right of centerline, 9' AGL/227' MSL. Rwy 27, tree 188' from departure end of runway, 152' left of centerline, 7' AGL/227' MSL.

TAHLEQUAH, OK

TAHLEQUAH MUNI (TQH)

AMDT 1 08157 (FAA)

TAKE-OFF MINIMUMS: Rwy 35, 300-1 1/2 or std. w/ min. climb of 345' per NM to 1200.

NOTE: Rwy 17, trees beginning 80' from departure end of runway, 16' right of centerline, up to 60' AGL/911' MSL. Trees and poles beginning 139' from departure end of runway, 337' left of centerline, up to 34' AGL/855' MSL. Light 1042' from departure end of runway, 403' left of centerline, 29' AGL/878' MSL. Rwy 35, poles and trees beginning 23' from departure end of runway, 42' left of centerline, up to 56' AGL/1075' MSL. Poles and trees beginning 1334' from departure end of runway, 29' right of centerline, up to 40' AGL/1058' MSL. Building 4492' from departure end of runway, 889' left centerline, 24' AGL/1024' MSL.

TEXARKANA, AR

TEXARKANA RGNL-WEBB FIELD (TXK)

AMDT 4 07354 (FAA)

NOTE: Rwy 4, multiple trees 881' from departure end of runway, 677' left of centerline, 60' AGL/419' MSL. Multiple trees 767' from departure end of runway, 621' right of centerline, 75' AGL/434' MSL. Rwy 13, multiple trees 211' from departure end of runway, 372' left of centerline, 75' AGL/424' MSL. Multiple trees 1819' from departure end of runway, 133' left of centerline, 99' AGL/438' MSL. Multiple trees beginning 237' from departure end of runway, 344' right of centerline, 98' AGL/457' MSL. Rwy 22, multiple trees beginning 122' from departure end of runway, 276' left of centerline, 47' AGL/406' MSL. Multiple trees beginning 132' from departure end of runway, 348' right of centerline, 71' AGL/400' MSL. Rwy 31, vehicle on road 346' from departure end of runway, on centerline, 15' AGL/391' MSL. Multiple trees 535' from departure end of runway, 124' left of centerline, 60' AGL/391' MSL. Multiple trees beginning 454' from departure end of runway, 349' right of centerline, 70' AGL/429' MSL. Multiple trees 1962' from departure end of runway, 195' left of centerline, 60' AGL/429' MSL.

TINKER AFB (KTIK),

OKLAHOMA CITY, OK 09043

DEPARTURE PROCEDURE: Rwy 30, climb on track 306° to 4000 prior to executing a right turn, left turns may be initiated at 1800. Rwy 35, intercept TIK R-354 climbing to 4000 prior to executing left turn.

TAKE-OFF OBSTACLES: Rwy 30, Trees 47' AGL/1267' MSL, 1778' from DER, 927' right of centerline. Monument 41' AGL/1264' MSL, 1473' from DER, 1337' right of centerline. Trees 28' AGL/ 1245' MSL, 2862' from DER, 1641' right of centerline.

TULSA, OK

RICHARD LLOYD JONES JR (RVS)

AMDT 7 11069 (FAA)

TAKE-OFF MINIMUMS: Rwy 31, 400-2 1/4 or 300-1 w/ min. climb of 315' per NM to 1100 or std. w/ min. climb of 610' per NM to 900.

DEPARTURE PROCEDURE: Rwys 1L, 1R, climb heading 007° to 1500 before proceeding on course.

Rwy 13, climb heading 172° to 1500 before proceeding on course. Rwys 19L, 19R, climb heading 187° to 1500 before proceeding on course. Rwy 31, climb heading 292° to 2400 before proceeding on course.

NOTE: Rwy 1L, railroad 397' from DER, 594' right of centerline, 23' AGL/652' MSL. Tree 1492' from DER, 626' right of centerline, 80' AGL/700' MSL.

Rwy 1R, railroad 162' from DER, 105' right of centerline, 23' AGL/652' MSL. Multiple trees and poles beginning 250' from DER, left and right of centerline, up to 80' AGL/700' MSL. Vehicle on road 521' from DER, 159' right of centerline, 15' AGL/ 644' MSL. Rwy 13, building 716' from DER, 513' right of centerline, 25' AGL/641' MSL. Railroad 902' from DER, 725' left of centerline, 23' AGL/642' MSL. Trees beginning 1960' from DER, left and right of centerline, up to 100' AGL/709' MSL. Rwy 19L, vehicles on road beginning 516' from DER, 282' left of centerline, up to 15' AGL/641' MSL. Trees beginning 790' from DER, 310' left of centerline, up to 73' AGL/683' MSL. Rwy 19R, vehicles on road 333' from DER, 563' left of centerline, up to 15' AGL/ 634' MSL. Tree 2247' from DER, 1019' left of centerline, 65' AGL/685' MSL. Rwy 31, hangar 506' from DER, 344' right of centerline, 20' AGL/640' MSL. Trees beginning 1372' from DER, left and right of centerline, up to 100' AGL/799' MSL. Transmission towers beginning 2731' from DER, left and right of centerline, up to 117' AGL/853' MSL. Multiple tanks, towers and trees beginning 1.2 NM from DER, left and right of centerline, up to 100' AGL/939' MSL.

TULSA INTL (TUL)

AMDT 1 10266 (FAA)

DEPARTURE PROCEDURE: Rwy 26, climb on a heading between 289 °CW to 083° from DER, or minimum climb of 222' per NM to 2900 for headings 084° through 288°.

NOTE: Rwy 18R, vehicle on road 200' from DER, 419' right of centerline, 15' AGL/687' MSL. Antenna on building 549' from DER, 447' left of centerline, 22' AGL/692' MSL. Building 411' from DER, 574' right of centerline, 39' AGL/699' MSL. Sign 1151' from DER, 757' right of centerline, 46' AGL/720' MSL. Building 2847' from DER, 690' right of centerline, 118' AGL/ 788' MSL. Rwy 26, antenna and building 1031' from DER, 745' left of centerline, up to 53' AGL/708' MSL. Tree 1544' from DER, 425' left of centerline, 53' AGL/ 713' MSL. Rwy 36L, trees 726' from DER, 608' right of centerline, 69' AGL/659' MSL. Trees 822' from DER, 596' left of centerline, 82' AGL/672' MSL.

12152



31 MAY 2012 to 28 JUN 2012

31 MAY 2012 to 28 JUN 2012



12152

VANCE AFB (KEND)

ENID, OK09323

TAKE-OFF OBSTACLES:

- Rwy 17C: Barrier (when raised) 24' AGL/1321' MSL, 154' into overrun, on centerline.
Rwy 17L: Terrain, 1293' MSL, 239' from DER, 55' left of centerline. Terrain, 1295' MSL, abeam departure end of runway, 156' right of centerline. Wind sensor, 33' AGL/1325' MSL, 211' from DER, 578' right of centerline. T-1 aircraft on taxiway, 14' AGL/1298' MSL, 204' from DER, 186' right of centerline. T-1 aircraft on taxiway, 14' AGL/1303' MSL, 383' from DER, 574' left of centerline. Trees, 70' AGL/1349' MSL, 2479' from DER, 1136' left of centerline. Trees, 70' AGL/1355' MSL, 1620' from DER, 944' left of centerline.
Rwy 17R: Barrier (when raised), 24' AGL/1336' MSL, 152' into overrun, on centerline.
Rwy 35C: Barrier (when raised), 24' AGL/1301' MSL, 147' into overrun, on centerline.
Rwy 35L: Barrier (when raised), 24' AGL/1303' MSL, 149' into overrun, on centerline.
Rwy 35R: Wind sensor, 33' AGL/1299' MSL, 1884' from DER, 577' left of centerline. Vehicle on road, 10' AGL/1284' MSL, 144' from DER, 292' left of centerline. T-1 aircraft on taxiway, 14' AGL/1280' MSL, 211' from DER, 574' right of centerline.

WAGONER, OK

HEFNER-EASLEY (H68)
ORIG 08045 (FAA)

NOTE: Rwy 36, Multiple trees beginning 167' from departure end of runway, 544' right of centerline, up to 100' AGL/709' MSL.

WALNUT RIDGE, AR

WALNUT RIDGE RGNL (ARG)
ORIG 11293 (FAA)

NOTE: Rwy 4, tree 2675' from DER, 756' left of centerline, 78' AGL/349' MSL. Rwy 18, vehicles on roadway 66' from DER, 487' left of centerline, up to 15' AGL/284' MSL. Rwy 31, vehicles on roadway beginning 56' from DER, left and right of centerline, up to 15' AGL/291' MSL. Rwy 36, trees beginning 123' from DER, left and right of centerline, up to 87' AGL/319' MSL. Pole 192' from DER, 410' right of centerline, 50' AGL/321' MSL. Vehicles on roadway beginning 460' from DER, left and right of centerline, up to 17' AGL/291' MSL.

WARREN, AR

WARREN MUNI (3M9)
ORIG 11265 (FAA)

NOTE: Rwy 3, trees beginning at DER, 190' left and right of centerline, up to 100' AGL/335' MSL. Vehicle on road, building, and hangar beginning 2' from DER, 192' right of centerline, up to 22' AGL/257' MSL. Rwy 21, trees beginning at DER, 172' left and right of centerline, up to 100' AGL/297' MSL. Terrain rising 115' from DER, 13' left and right of centerline, up to 210' MSL.

WATONGA, OK

WATONGA RGNL

TAKE-OFF MINIMUMS: Rwy 17, 400-2 or std. with a min. climb of 315' per NM to 2000.
NOTE: Rwy 17, vehicle on road 165' from departure end of runway, 471' left of centerline, 15' AGL/1554' MSL. Elevator 5609' from departure end of runway, 614' left of centerline, 177' AGL/1694' MSL. Rwy 35, trees beginning 3318' from departure end of runway, 435' left of centerline, up to 100' AGL/1689' MSL. Vehicle on road 284' from departure end of runway, 471' right of centerline, 15' AGL/1584' MSL.

WEATHERFORD, OK

THOMAS P. STAFFORD

DEPARTURE PROCEDURE: Rwy 17, climb via heading 188° to 2500 before proceeding on course.
NOTE: Rwy 17, truck on road 682' from departure end of runway, crossing centerline, 17' AGL/1636' MSL, multiple trees beginning 2605' from departure end of runway, 652' right of centerline, up to 100' AGL/1699' MSL. Rwy 35, tree 1421' from departure end of runway, 413' right of centerline, 40' AGL/1649' MSL.

WEST MEMPHIS, AR

WEST MEMPHIS MUNI

TAKE-OFF MINIMUMS: Rwy 17, NOTE: 101' AGL trees 2155' from departure end of rwy, 196' right of centerline.

WOODWARD, OK

WEST WOODWARD

DEPARTURE PROCEDURE: Rwy 17, climb heading 172° to 3100 before proceeding on course.

31 MAY 2012 to 28 JUN 2012

31 MAY 2012 to 28 JUN 2012

12152

