

LAAS CH 21895	APP CRS 087°	Rwy Idg TDZE 91	10000
RPI GUYO		Apt Elev	96

GLS RWY 9

GEORGE BUSH INTERCONTINENTAL/HOUSTON (IAH)

▼ For inop MALSR, increase GLS all Cats visibility to RVR 4000. Simultaneous approach authorized with Rwy 8L/R. DME/DME RNP-0.3 NA. Use of FD or AP providing RNAV track guidance required during simultaneous operations. GPS required. Autoland approach NA.

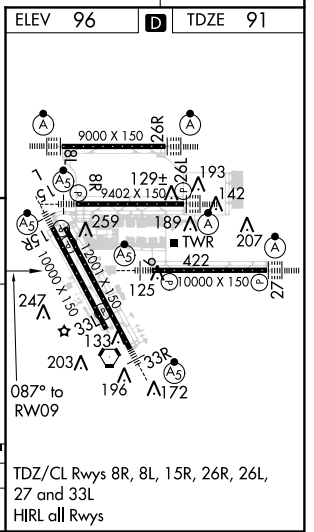
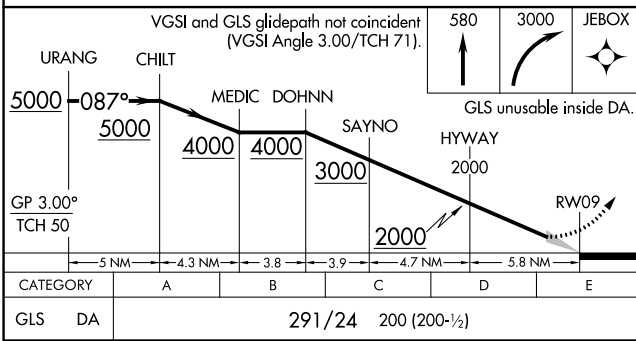
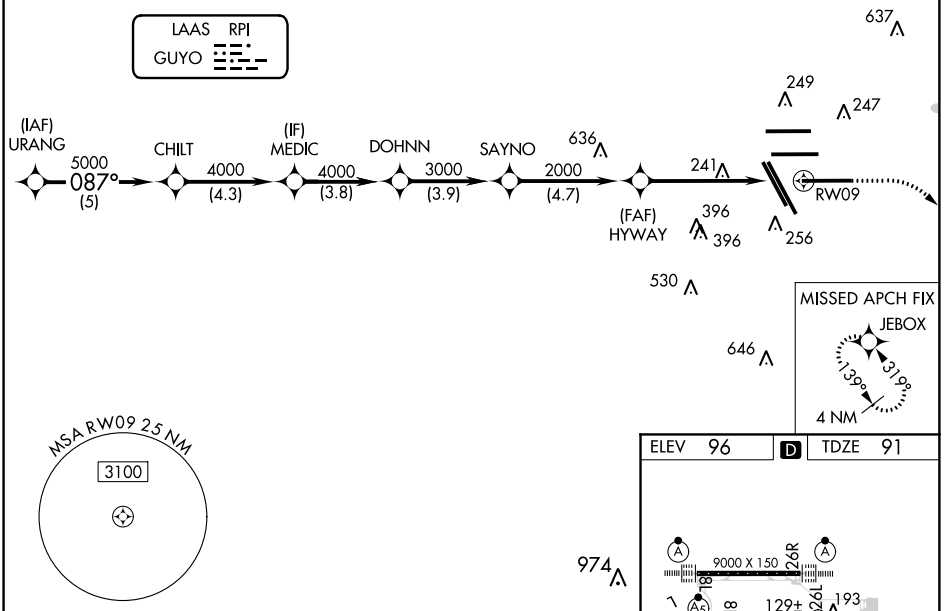
▲ NA

MALSR

MISSED APPROACH: Climb to 580 then climbing right turn to 3000 direct JEBOX and hold.

D-ATIS 124.05	HOUSTON APP CON 120.05 379.1 EAST 124.35 316.15 WEST	HOUSTON TOWER 135.15 290.2	GND CON 118.575	CLNC DEL 128.1	CPDLC
-------------------------	--	--------------------------------------	---------------------------	--------------------------	-------

RADAR REQUIRED



SC-5, 09 NOV 2017 to 07 DEC 2017

SC-5, 09 NOV 2017 to 07 DEC 2017